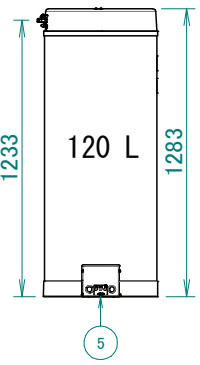
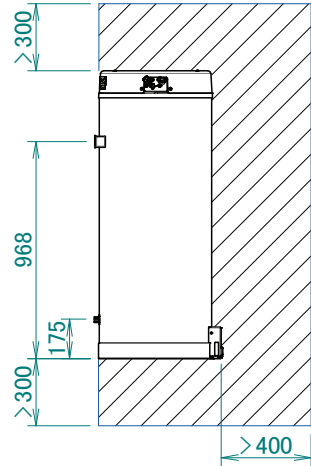
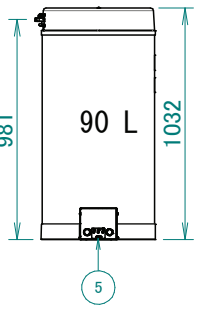
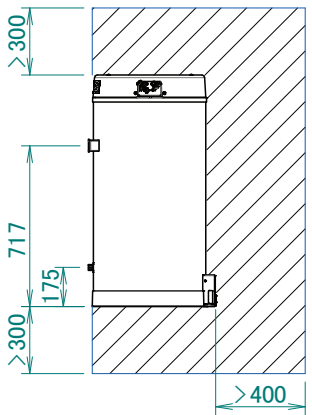
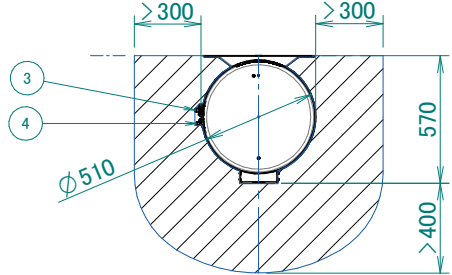
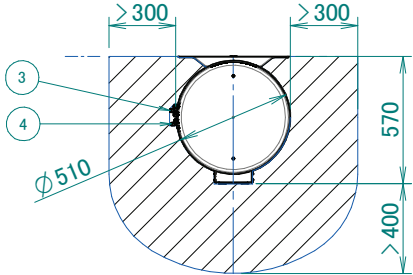
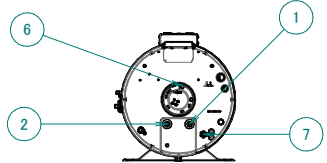


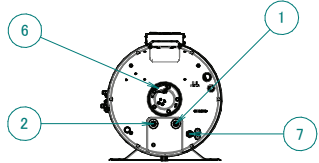
EKHWT-BV3



1	Domestic cold water IN
2	Domestic hot water OUT
3	Gas stop valve G1/4 (R32 IN from outdoor unit)
4	Liquid stop valve G3/8 (R32 OUT to outdoor unit)
5	User interface MMI2
6	Thermal protector booster heater
7	Wiring intake power supply



Bottom plate removed for clarity



Bottom plate removed for clarity

 Required space for service and installation.