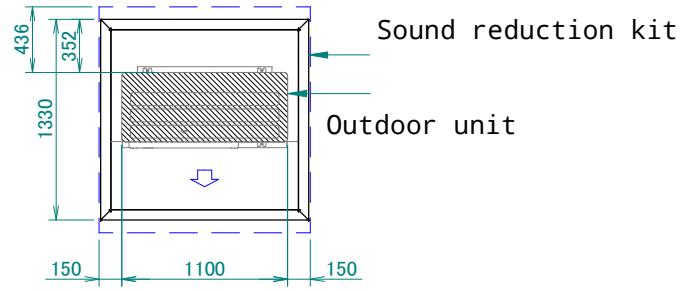
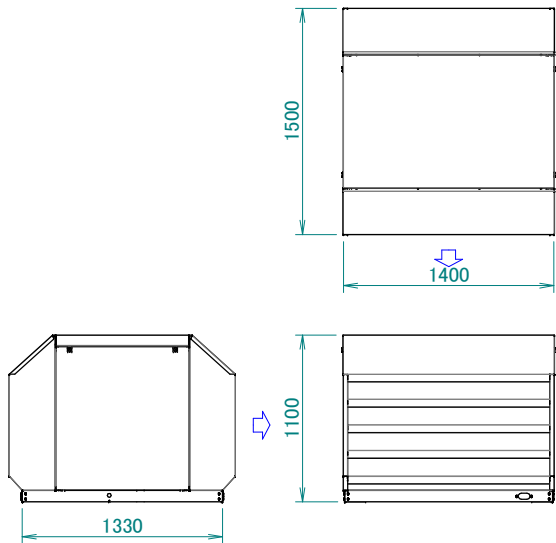


EKLN140A1



Minimum space for air passage

