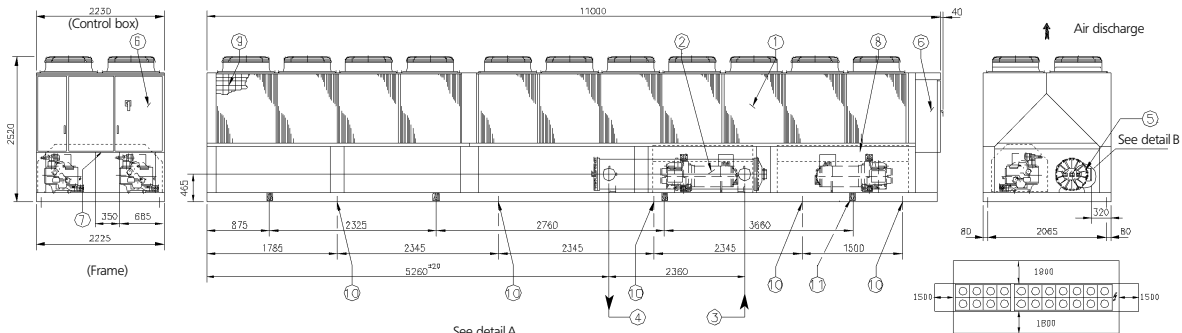


EWADC10BJYNN/Z-C12BJYNN/Q

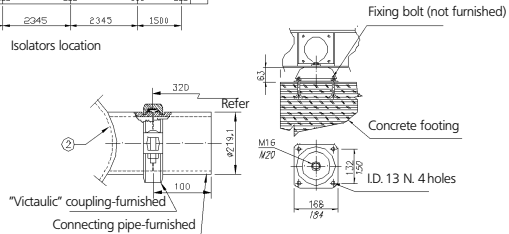


Legend

- ① Condenser coil
- ② Evaporator
- ③ Evaporator water inlet
- ④ Evaporator water outlet
- ⑤ Victaulic connections for 219.1 O.D. tube
- ⑥ Operating and control panel
- ⑦ 360x150 slot for power and control panel connection
- ⑧ Compressor enclosure (optional)
- ⑨ Coil protection guards (optional)
- ⑩ 10 isolator mounting holes 25 mm DIA.
- ⑪ 8 lifting shackles

Condenser type	Weight KG		Isolators load KG									
	Shipping	Operating	A	B	C	D	E	F	G	H	L	M
Aluminium	9750	10160	1285	1285	1080	1080	1280	1280	535	535	900	900
Acrylic coated												
Rubber isolators	Type (q/ty)		786010-m (6 Pz)				786011-h (4 Pz)					

Isolators location



Detail B

Detail "A" rubber isolator