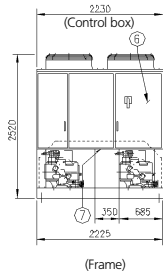
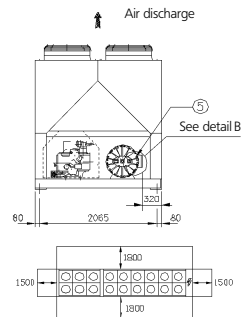
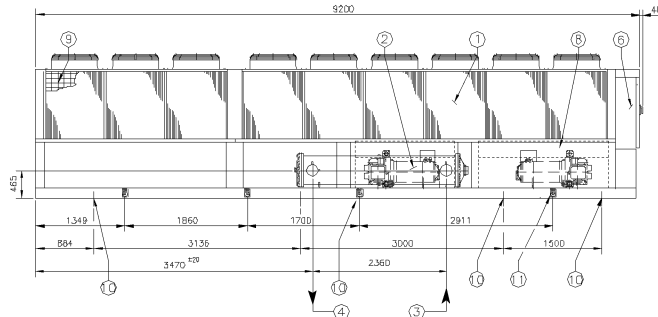


EWADC11-C12BJYNN/A
EWADC11-C12BJYNN/A+OPRN
EWADC11-C12BJYNN/A+OPLN

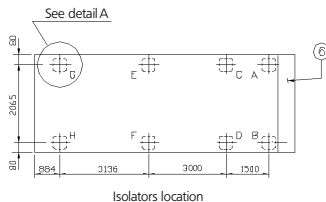


EWADC12-C13BJYNN
EWADC12-C13BJYNN+OPRN
EWADC12-C13BJYNN+OPLN



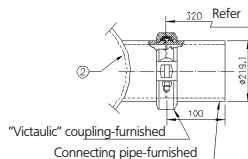
Legend

- ① Condenser coil
- ② Evaporator
- ③ Evaporator water inlet
- ④ Evaporator water outlet
- ⑤ Victaulic connections for 219.1 O.D. tube
- ⑥ Operating and control panel
- ⑦ 360x150 slot for power and control panel connection
- ⑧ Compressor enclosure
- ⑨ Coil protection guards (optional)
- ⑩ 8 isolator mounting holes 25 mm DIA.
- ⑪ 8 lifting shackles

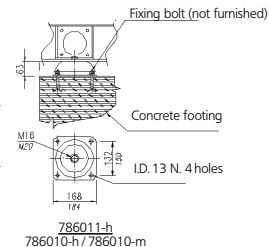


Fan arrangements and minimum clearance requirements

Version	Condenser type	Weight KG		Isolators load KG							
		Shipping	Operating	A	B	C	D	E	F	G	H
EWADC11-C12BJYNN/A	Aluminium Acrylic coated	8420	8830	1215	1215	1015	1015	1510	1510	675	675
EWADC11-C12BJYNN/A+OPRN											
EWADC12-C13BJYNN EWADC12-C13BJYNN+OPRN											
EWADC11-C12BJYNN/A+OPLN	Aluminium Acrylic coated	8780	9190	1275	1275	1095	1095	1550	1550	675	675
EWADC11-C12BJYNN/A+OPLN											
EWADC12-C13BJYNN+OPLN											
EWADC11-C12BJYNN/A EWADC11-C12BJYNN/A+OPRN EWADC11-C12BJYNN/A+OPLN EWADC12-C13BJYNN EWADC12-C13BJYNN+OPRN EWADC12-C13BJYNN+OPLN	Rubber isolators	Type (qty)		786010-m (4 Pz)				786010-h (2 Pz)		786011-h (2 Pz)	



Detail B



Detail "A" rubber isolator