

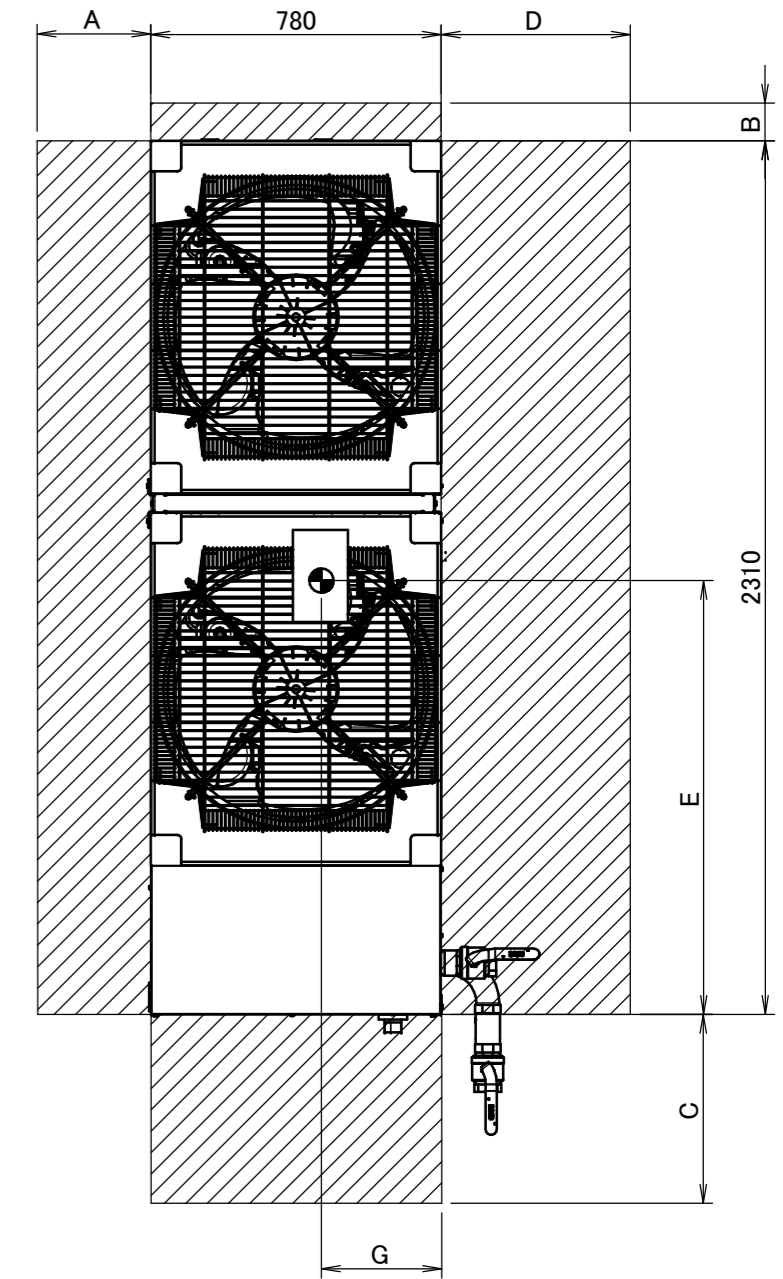
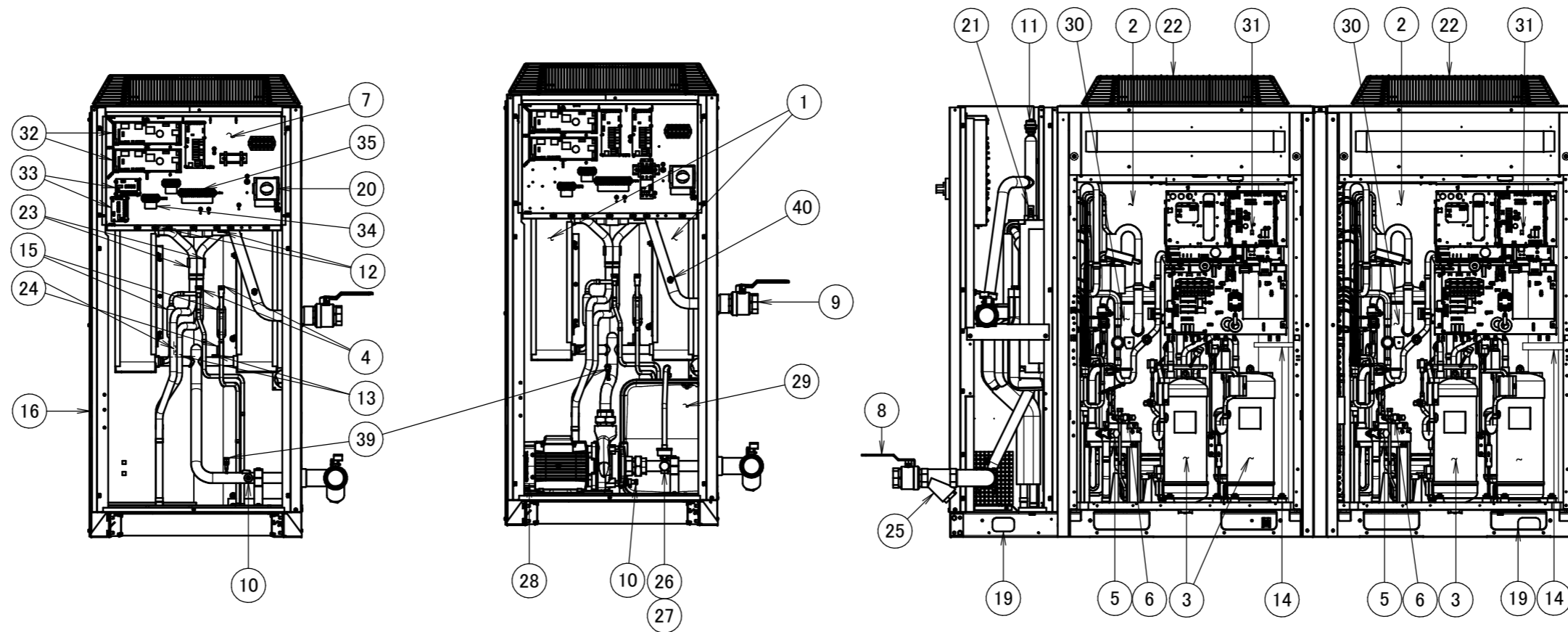
1 Distance from wall (or other unit) for regions without heavy snowfall  
2 Distance from wall (or other unit) for regions with heavy snowfall

	1	2
<b>A</b>	300	500
<b>B</b>	100	500
<b>C</b>	500	500
<b>D</b>	500	500

- 01 Brazed plate heat exchanger
- 02 Coil
- 03 Compressor
- 04 Expansion valve
- 05 Gas stop valve
- 06 Liquid stop valve
- 07 Hydro module switch box
- 08 Chilled water IN \_\_\_\_\_ (female)
- 09 Chilled water OUT \_\_\_\_\_ (female)
- 10 Drain
- 11 Air purge
- 12 Leaving water temperature sensor
- 13 Entering water temperature sensor
- 14 Ambient temperature sensor
- 15 Refrigerant filter
- 16 Power supply wiring intake (knockout hole \_\_\_\_\_)
- 17 Low voltage wiring intake
- 18 High voltage wiring intake
- 19 Lifting eye for sling
- 20 Main isolator switch
- 21 Flow switch
- 22 Fan
- 23 Gas pipe sensor
- 24 Liquid pipe sensor
- 25 Water filter
- 26 Safety valve
- 27 Pressure gauge
- 28 Pump
- 29 Expansion vessel
- 30 Accumulator
- 31 Outdoor module switch box
- 32 Hydro module main pcb
- 33 Demand PCB
- 34 Terminal block (low voltage)
- 35 Terminal block (high voltage)
- 36 Outdoor module service panel
- 37 Hydro module service panel
- 38 Hydro module switch box service panel
- 39 Water pressure port before brazed plate heat exchanger
- 40 Water pressure port after brazed plate heat exchanger

N - Model

P/H - Model



Model	E	F	G
<b>EWA/YQ040CAWN</b>	1227	592	380
<b>EWA/YQ050CAWN</b>	1227	592	380
<b>EWA/YQ040CAWP</b>	1183	577	387
<b>EWA/YQ050CAWP</b>	1183	577	387

