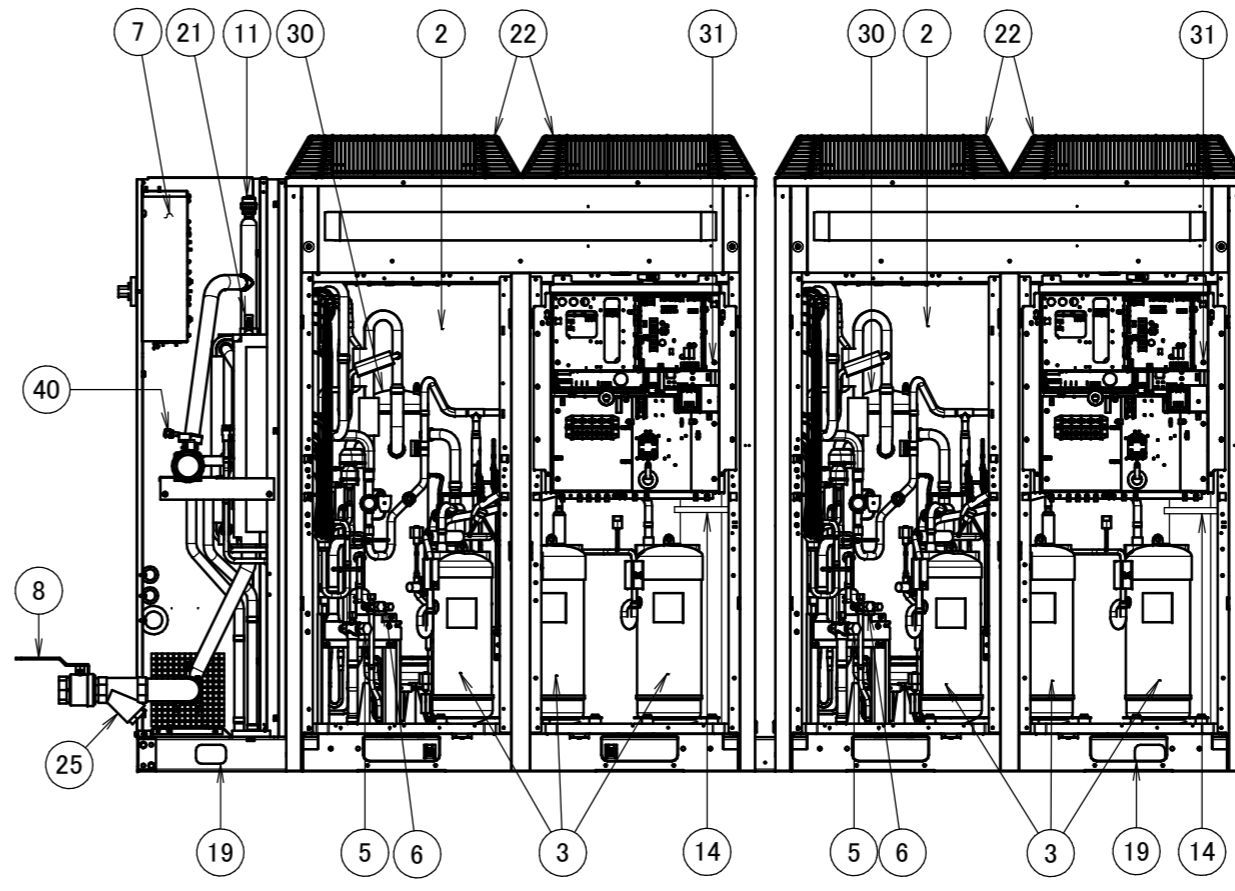
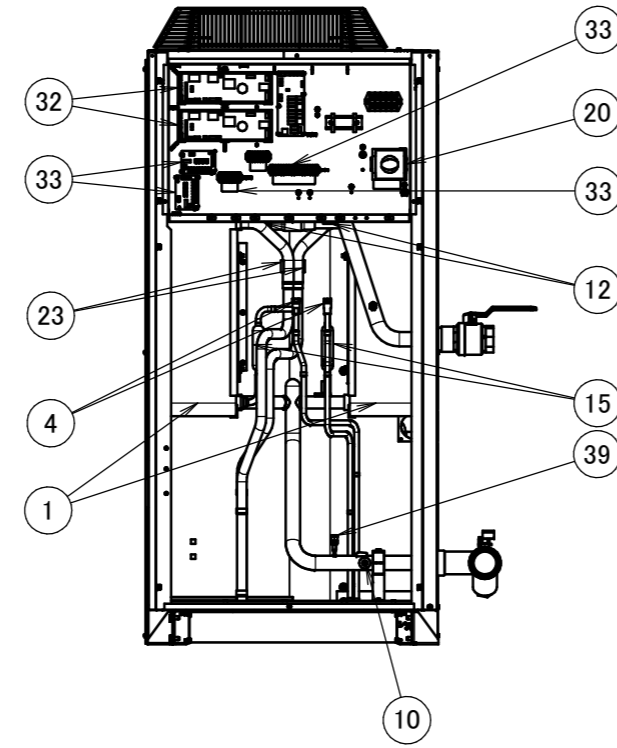


1 Distance from wall (or other unit) for regions without heavy snowfall
2 Distance from wall (or other unit) for regions with heavy snowfall

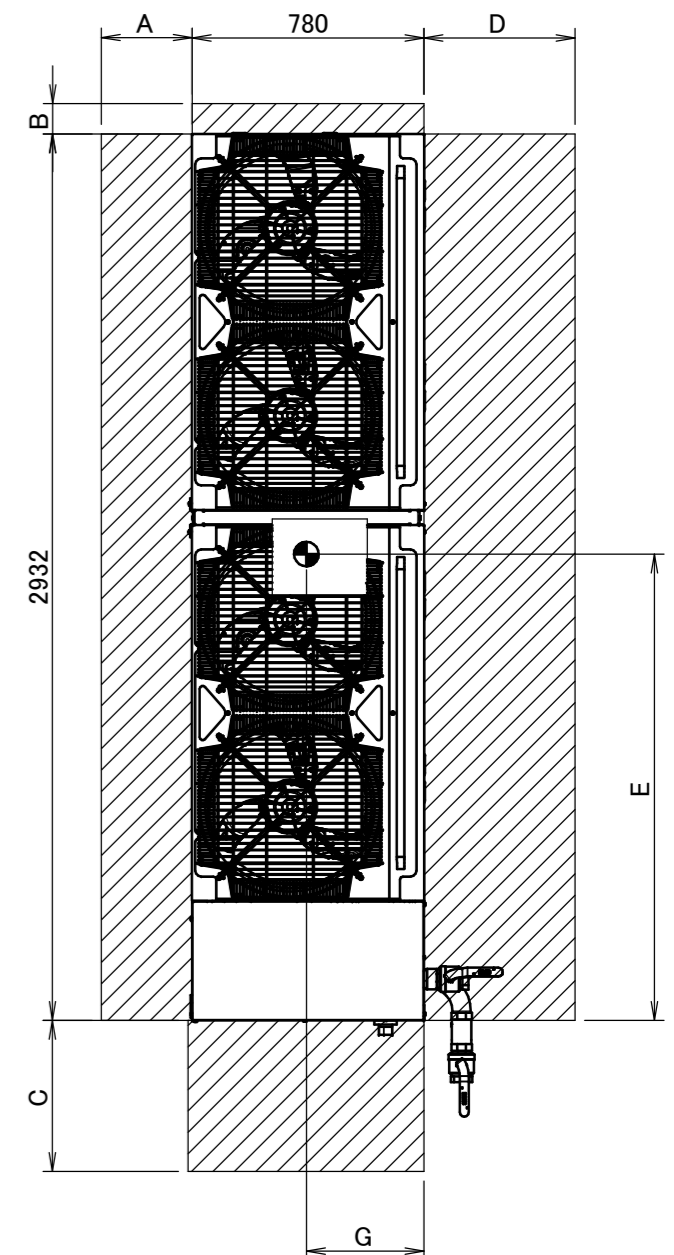
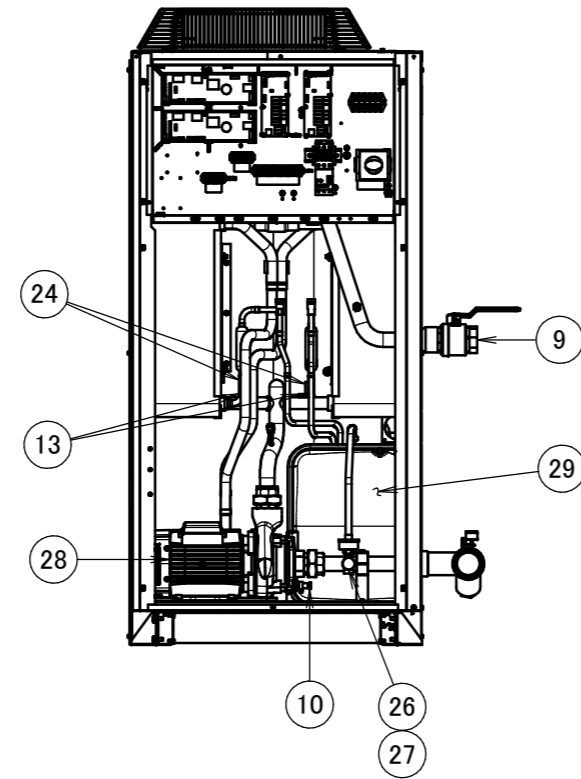
- 01 Brazed plate heat exchanger
- 02 Coil
- 03 Compressor
- 04 Expansion valve
- 05 Gas stop valve
- 06 Liquid stop valve
- 07 Hydro module switch box
- 08 Chilled water IN G2 shutoff valve (female)
- 09 Chilled water OUT G1-1/4 shutoff valve (female)
- 10 Drain
- 11 Air purge
- 12 Leaving water temperature sensor
- 13 Entering water temperature sensor
- 14 Ambient temperature sensor
- 15 Refrigerant filter
- 16 Power supply wiring intake (knockout hole Ø45)
- 17 Low voltage wiring intake Ø29
- 18 High voltage wiring intake Ø29
- 19 Lifting eye for sling
- 20 Main isolator switch
- 21 Flow switch
- 22 Fan
- 23 Gas pipe sensor
- 24 Liquid pipe sensor
- 25 Water filter
- 26 Safety valve Optional
- 27 Pressure gauge Optional
- 28 Pump Optional
- 29 Expansion vessel Optional
- 30 Accumulator
- 31 Outdoor module switch box
- 32 Hydro module main pcb
- 33 Demand PCB Optional
- 34 Terminal block (low voltage)
- 35 Terminal block (high voltage)
- 36 Outdoor module service panel
- 37 Hydro module service panel
- 38 Hydro module switch box service panel
- 39 Water pressure port before brazed plate heat exchanger
- 40 Water pressure port after brazed plate heat exchanger

N - Model



	1	2
A	300	500
B	100	500
C	500	500
D	500	500

P/H - Model



Model	E	F	G
EWA/YQ064CAWN	1471	388	590
EWA/YQ064CAWP	1430	394	578

Legend

- Required space for service and ventilation
- Centre of gravity

