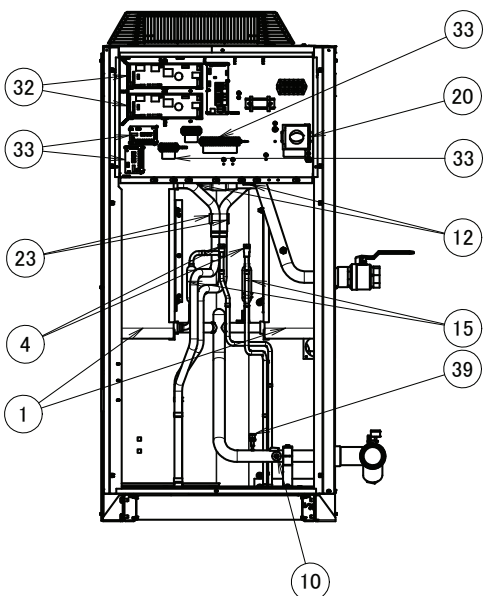
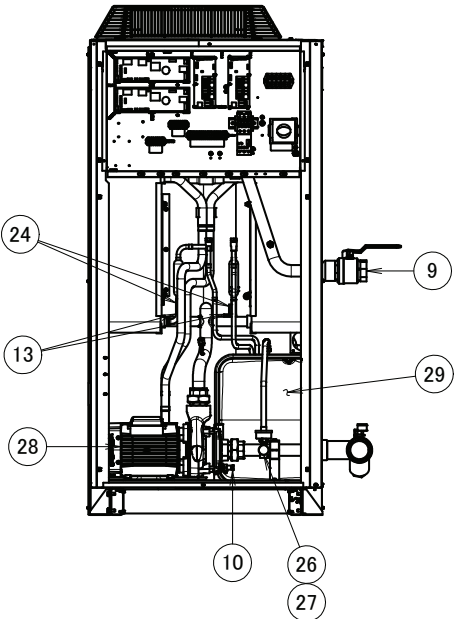


N - Model



P/H - Model



01	Brazed plate heat exchanger	
02	Coil	
03	Compressor	
04	Expansion valve	
05	Gas stop valve	
06	Liquid stop valve	
07	Hydro module switch box	
08	Chilled water IN ·G2 shutoff valve· (female)	
09	Chilled water OUT ·G1-1/4 shutoff valve· (female)	
10	Drain	
11	Air purge	
12	Leaving water temperature sensor	
13	Entering water temperature sensor	
14	Ambient temperature sensor	
15	Refrigerant filter	
16	Power supply wiring intake (knockout hole ·Ø45·)	
17	Low voltage wiring intake ·Ø29·	
18	High voltage wiring intake ·Ø29·	
19	Lifting eye for sling	
20	Main isolator switch	
21	Flow switch	
22	Fan	
23	Gas pipe sensor	
24	Liquid pipe sensor	
25	Water filter	
26	Safety valve	Optional
27	Pressure gauge	Optional
28	Pump	Optional
29	Expansion vessel	Optional
30	Accumulator	
31	Outdoor module switch box	
32	Hydro module main PCB	
33	Demand PCB	Optional
34	Terminal block (low voltage)	
35	Terminal block (high voltage)	
36	Outdoor module service panel	
37	Hydro module service panel	
38	Hydro module switch box service panel	
39	Water pressure port before brazed plate heat exchanger	
40	Water pressure port after brazed plate heat exchanger	

Model	E	F	G
EWA/YQ064CAWN	1471	388	590
EWA/YQ064CAWP	1430	394	578

