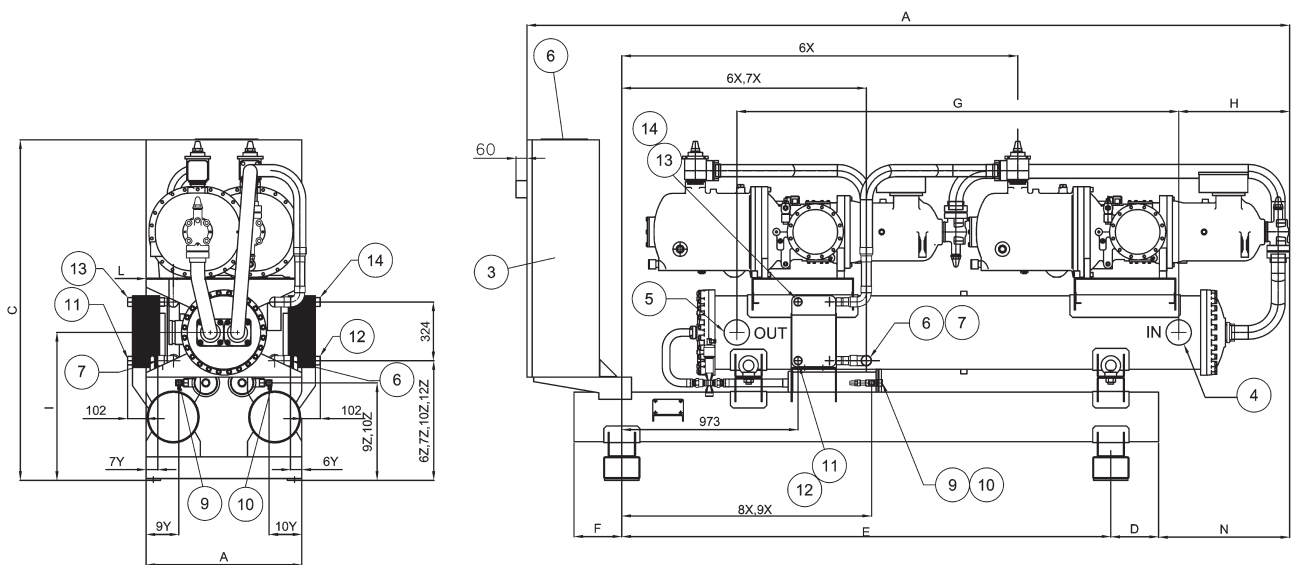


EWLD320-550G-SS
Partial Heat Recovery



| | | | | | | | | | | | |
|------|----|-----|------|----|-----|------|-----|-----|------|-----|-----|
| 6x | 6Y | 6Z | 7x | 7Y | 7Z | 8X | 8Y | 8Z | 9X | 9Y | 9Z |
| 1350 | 63 | 661 | 1350 | 63 | 661 | 1379 | 181 | 539 | 1379 | 181 | 539 |

mm

| Models | Dimensions (mm) | | | | | | | | | | |
|-------------|-----------------|-----|------|-----|------|-----|------|-----|-----|-----|-----|
| | A | B | C | D | E | F | G | H | I | L | M |
| EWLD320G-SS | 4245 | 860 | 1880 | 264 | 2700 | 264 | 2486 | 564 | 815 | 127 | 723 |
| EWLD360G-SS | 4245 | 860 | 1880 | 264 | 2700 | 264 | 2486 | 564 | 815 | 127 | 723 |
| EWLD380G-SS | 4245 | 860 | 1880 | 264 | 2700 | 264 | 2486 | 564 | 815 | 127 | 723 |
| EWLD420G-SS | 4245 | 860 | 1880 | 264 | 2700 | 264 | 2450 | 582 | 815 | 122 | 723 |
| EWLD480G-SS | 4245 | 860 | 1880 | 264 | 2700 | 264 | 2450 | 582 | 815 | 122 | 723 |
| EWLD550G-SS | 4245 | 860 | 1880 | 264 | 2700 | 264 | 2450 | 582 | 815 | 122 | 723 |

LEGEND

- 1 - Compressor
- 2 - Water heat exchanger evaporator
- 3 - Electrical panel
- 4 - Evaporator water inlet
- 5 - Evaporator water outlet
- 6 - Power connections slot
- 7 - Discharge line connection circ. 1
- 8 - Discharge line connection circ. 2
- 9 - Pipe liquid connection 1
- 10 - Pipe liquid connection 2
- 11 - Desupheater water inlet circ. 1
- 12 - Desupheater water inlet circ. 2
- 13 - Desupheater water outlet circ. 1
- 14 - Desupheater water outlet circ. 2