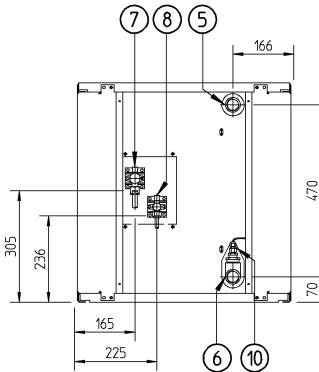
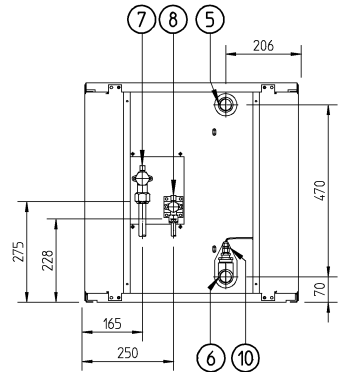


View A-A Only for 5HP



Scale: 1/12

View A-A Only for 8-10-12HP



Scale: 1/12

- 1 Compressor
- 2 Evaporator
- 3 Accumulator
- 4 Switchbox
- 5 Chilled water in
- 6 Chilled water out
- 7 Discharge stop valve
- 8 Liquid stop valve
- 9 Evaporator entering water temperature sensor
- 10 Freeze up sensor

- 11 Digital display controller
- 12 Power supply intake (Ø 48)
- 13 Ballvalve
- 14 Water filter
- 15 Air purge
- 16 T-joint for air purge
- 17 Flow switch
- 18 Main switch
- 19 Flow switch pipe