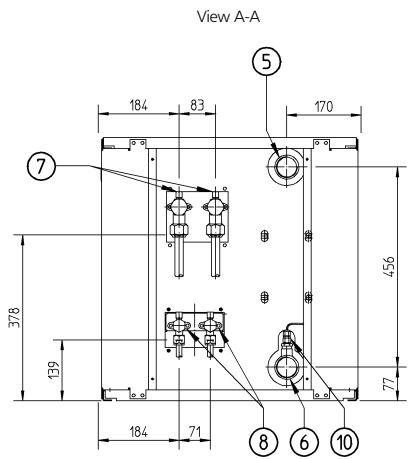


Required service space around the unit

Scale: 1/18



- | | |
|--|-------------------------------------|
| 1 Compressor | 11 Digital display controller |
| 2 Evaporator | 12 Power supply intake (ϕ 48) |
| 3 Accumulator | 13 Ballvalve |
| 4 Switchbox | 14 Water filter |
| 5 Chilled water in | 15 Air purge |
| 6 Chilled water out | 16 T-joint for air purge |
| 7 Discharge stop valve | 17 Flow switch |
| 8 Liquid stop valve | 18 Main switch |
| 9 Evaporator entering water temperature sensor | 19 Flow switch pipe |
| 10 Freeze up sensor | |