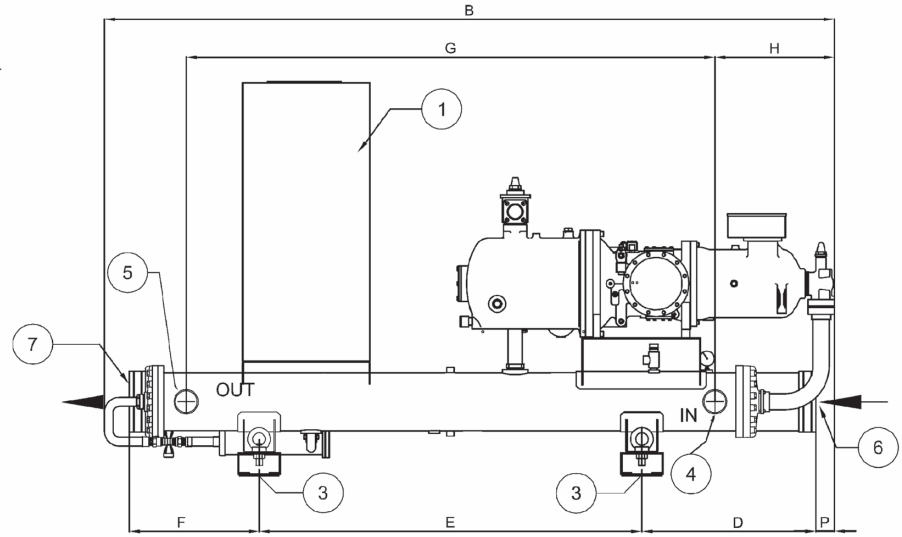
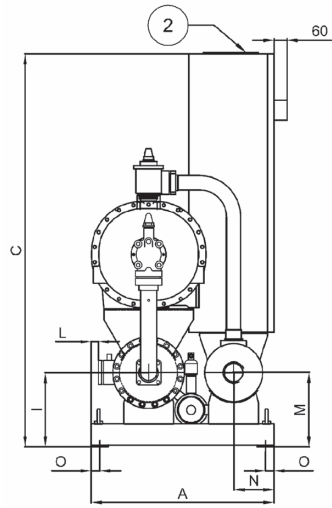


EWWD170~300G-SS Total Heat Recovery
EWWD190~320G-XS Total Heat Recovery



Dimensions

EWWD-G-	A	B	C	D	E	F	G	H	I	L	M	N	O	P	Q
170-210G-SS	860	3435	1860	818	1800	610	2526	554	350	77	350	115	40	87	150
260-300G-SS	860	3435	1860	818	1800	610	2486	554	350	33	350	115	40	87	150
190-320G-XS	860	3435	1860	818	1800	580	2486	554	350	33	350	115	40	87	150

LEGEND

- 1 - Electrical Panel
- 2 - Power connections slot 150x260
- 3 - Four (4) holes Ø25 for isolator mounting
- 4 - Evaporator water inlet (Victaulic connection)
- 5 - Evaporator water outlet (Victaulic connection)
- 6 - Condenser water inlet connection
- 7 - Condenser water outlet connection