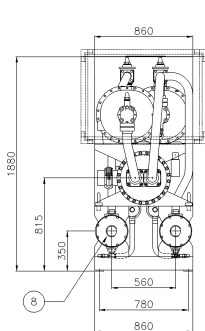
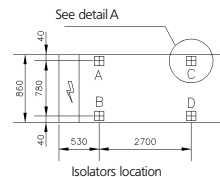
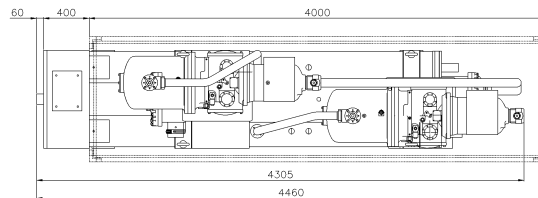
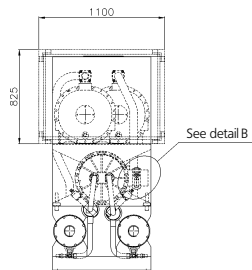
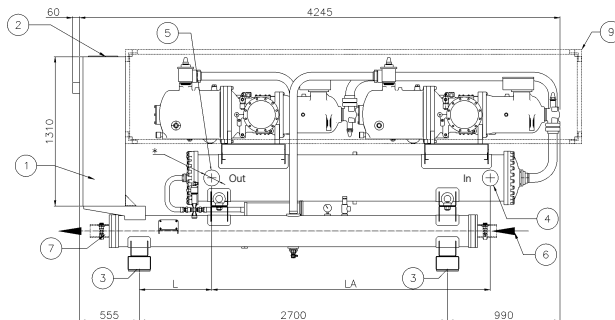


EWWD320-600DJYNN



Legend

- ① Electrical panel
- ② Power connections slot 150x260
- ③ 4 holes ϕ 25 for isolator mounting
- ④ Evaporator water inlet (ϕ * Victaulic connection)
- ⑤ Evaporator water outlet (ϕ * Victaulic connection)
- ⑥ Condenser water inlet connection
- ⑦ Condenser water outlet connection
- ⑧ Condenser water inlet connection 5" gas
- ⑨ 5" victaulic connection condenser water inlet/outlet (optional)
- ⑩ Compressor enclosure (optional)

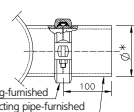


Water inlet and outlet condenser connection can be reverse

Unit	Without compressor enclosure									
	Unit weight (kg)		Isolators load (kg)				Conn. in/out evap.	Dimension		
	Shipping	Operating	A	B	C	D	ϕ *	L	LA	
EWWD320DJYNN	2687	2840	555	555	865	865	114.3	610	2486	
EWWD380DJYNN	2697	2850	555	560	865	870	114.3	610	2486	
EWWD420DJYNN	2702	2860	560	560	870	870	114.3	610	2486	
EWWD460DJYNN	2757	2970	585	585	900	900	139.7	627	2450	
EWWD500DJYNN	2762	2970	585	585	900	900	139.7	927	2450	
EWWD600DJYNN	2762	2970	585	585	900	900	139.7	927	2450	
	Rubber isolators		786011-m (2 Pz.)		786011-h (2 Pz.)		Type (Qty)			

Unit	with compressor enclosure									
	Unit weight (kg)		Isolators load (kg)				Conn. in/out evap.	Dimension		
	Shipping	Operating	A	B	C	D	ϕ *	L	LA	
EWWD320DJYNN	2907	3060	595	595	935	935	114.3	610	2486	
EWWD380DJYNN	2917	3070	595	600	935	940	114.3	610	2486	
EWWD420DJYNN	2922	3080	600	600	940	940	114.3	610	2486	
EWWD460DJYNN	2977	3190	625	625	970	970	139.7	627	2450	
EWWD500DJYNN	2982	3190	625	625	970	970	139.7	927	2450	
EWWD600DJYNN	2982	3190	625	625	970	970	139.7	927	2450	
	Rubber isolators		786011-m (2 Pz.)		786011-h (2 Pz.)		Type (Qty)			

Detail B



Detail "A" rubber isolator Recommended dimensions

