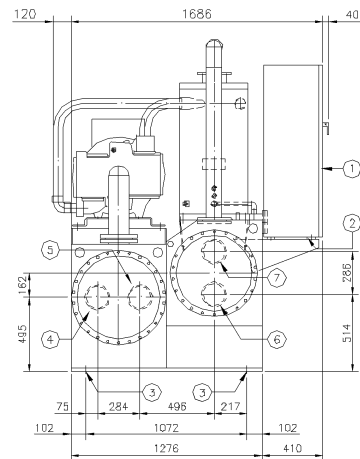
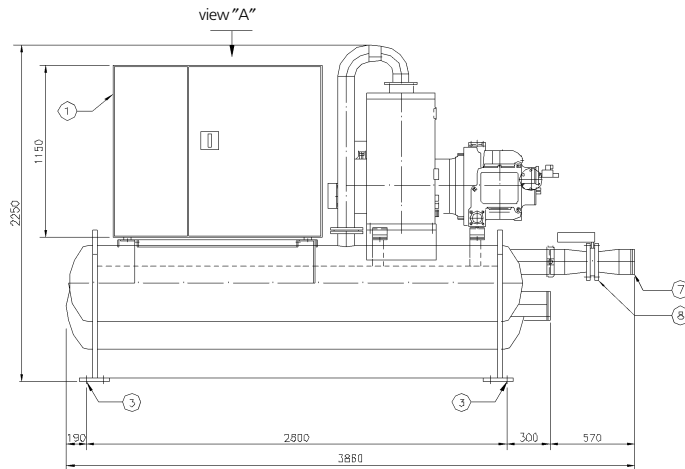


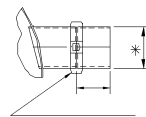
# EWWD550BJYNN



Water cap. Liters	Unit weight	
	Shipping kg	Operating kg
260	3610	3870

## Legend

- ① Electrical panel
- ② Power connections slot 300x150
- ③ 4 Holes  $\phi$  22 for isolator mounting
- ④ Evaporator water inlet ( $\phi$  e 219.1 victaulic connection)
- ⑤ Evaporator water outlet ( $\phi$  e 219.1 victaulic connection)
- ⑥ Condenser water inlet ( $\phi$  e 168.3 victaulic connection)
- ⑦ Condenser water outlet ( $\phi$  e 168.3 victaulic connection)
- ⑧ Condenser water outlet regulator valve



"Victaulic"  
coupling-furnished  
Connecting pipe-furnished

\* Evaporator =  $\phi$  219.1  
Condenser =  $\phi$  168.3

view "A"

