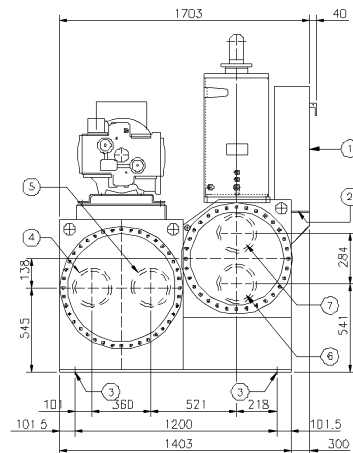
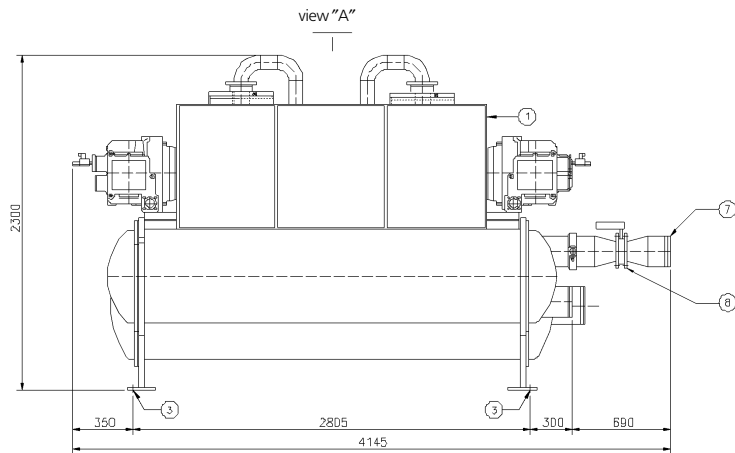


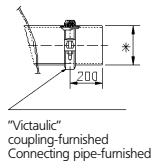
EWWD750BJYNN



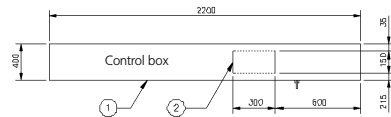
Water cap. Liters	Unit weight	
	Shipping kg	Operating kg
365	5555	5920

Legend

- ① Electrical panel
- ② Power connections slot 300x150
- ③ 4 Holes $\phi 22$ for isolator mounting
- ④ Evaporator water inlet (ϕ e 219.1 victaulic connection)
- ⑤ Evaporator water outlet (ϕ e 219.1 victaulic connection)
- ⑥ Condenser water inlet (ϕ e 219.1 victaulic connection)
- ⑦ Condenser water outlet (ϕ e 219.1 victaulic connection)
- ⑧ Condenser water outlet regulator valve



* Evaporator = ϕ 219.1
Condensor = ϕ 219.1



view "A"