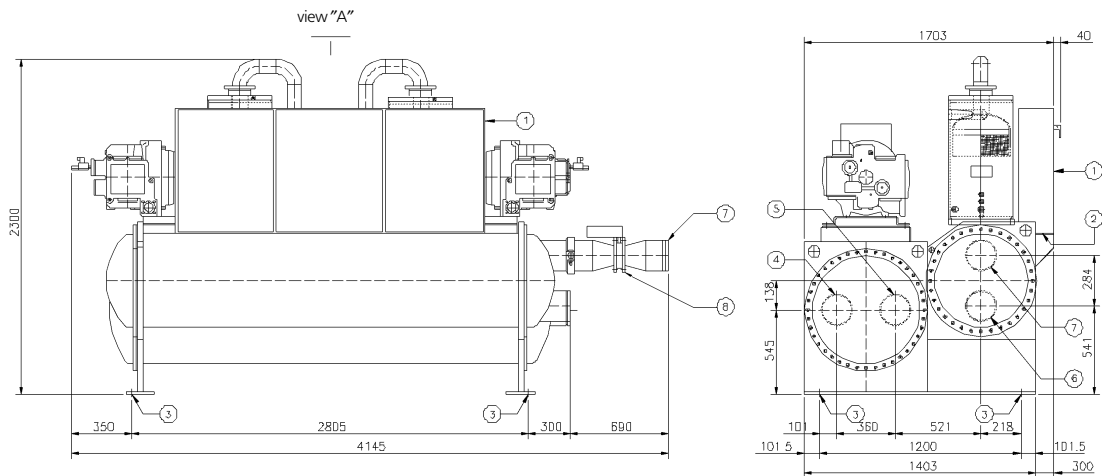
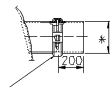


EWWD850BJYNN



Legend

- ① Electrical panel
- ② Power connections slot 300x150
- ③ 4 Holes ϕ 22 for isolator mounting
- ④ Evaporator water inlet (ϕ e 219.1 victaulic connection)
- ⑤ Evaporator water outlet (ϕ e 219.1 victaulic connection)
- ⑥ Condenser water inlet (ϕ e 219.1 victaulic connection)
- ⑦ Condenser water outlet (ϕ e 219.1 victaulic connection)
- ⑧ Condenser water outlet regulator valve



"Victaulic"
coupling-furnished
Connecting pipe-furnished

* Evaporator = ϕ 219.1
Condenser = ϕ 219.1

Water cap. Liters	Unit weight	
	Shipping kg	Operating kg
405	5645	6050

