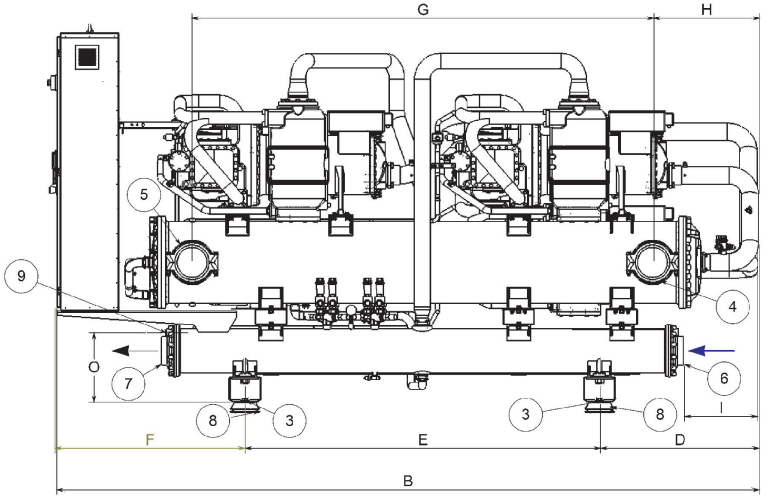
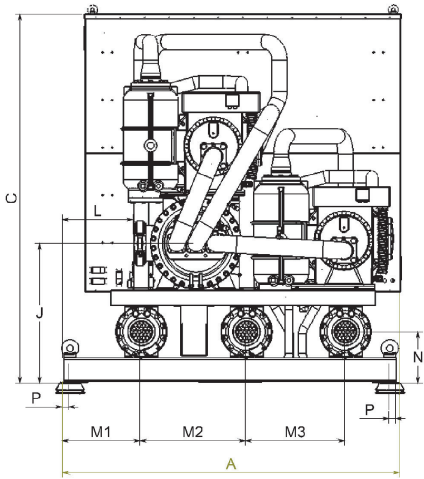


EWWD12~C181-SS [Partial Heat Recovery]



EWWD-I-	Dimensions																
	A	B	C	D	E	F	G	H	I	J	L	M1	M2	M3	N	O	P
C12~C181-SS	2130	4439	2323	1041	2200	1198	2910	666	452	880	446	490	645	645	323	--	40
C12~C181-SS (PHR)	2130	4439	2323	1041	2200	1198	2910	666	452	880	446	490	645	645	323	437	40

LEGEND

- 1 - Electrical Panel
- 2 - Power connections slot 150x350
- 3 - Four (4) holes Ø21 for isolator mounting
- 4 - Evaporator water inlet (Victaulic connection)
- 5 - Evaporator water outlet (Victaulic connection)
- 6 - Condenser water inlet connection
- 7 - Condenser water outlet connection
- 8 - Isolators (optional)
- 9 - Partial heat recovery connection (optional)