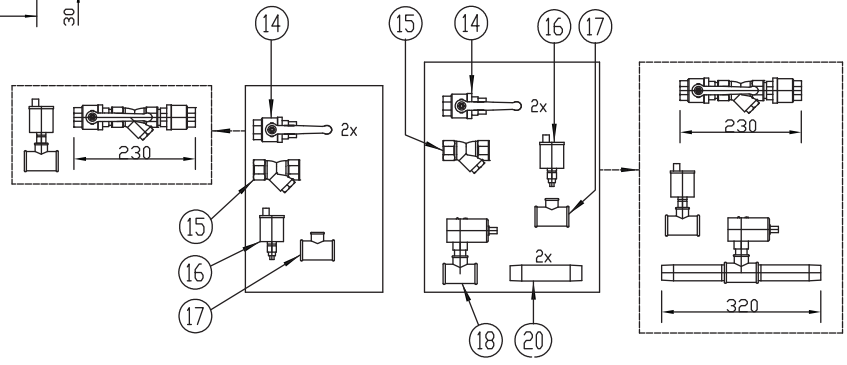
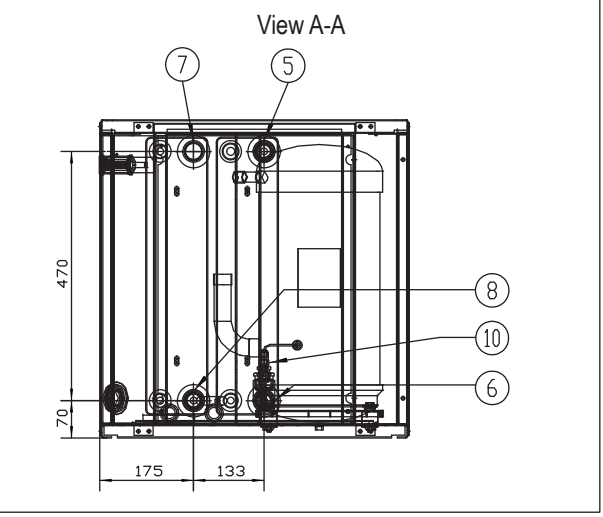
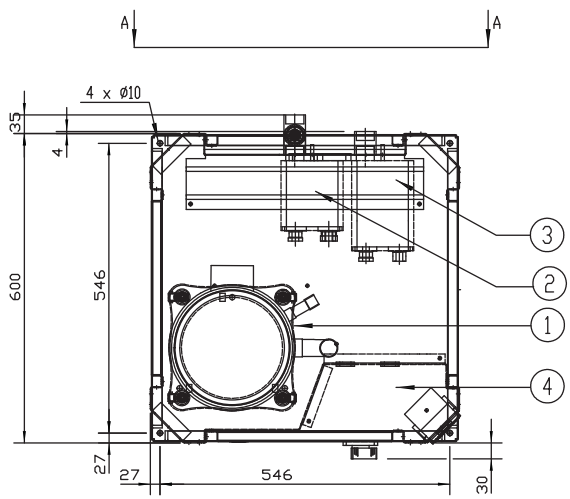
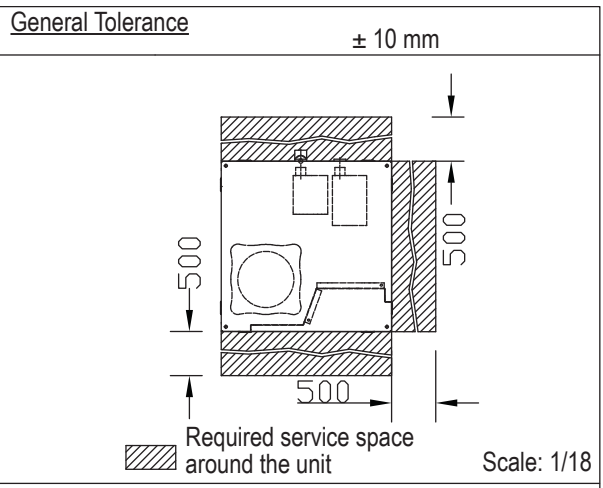
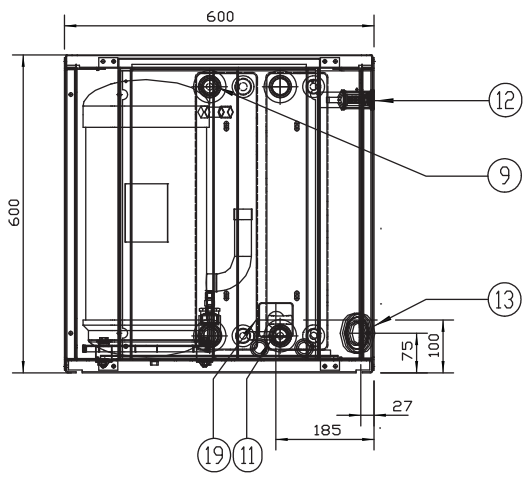


EWVQ014-033KBW1N



①	Compressor
②	Evaporator
③	Condenser
④	Switchbox
⑤	Chilled water in
⑥	Chilled water out
⑦	Condenser water out

⑧	Condenser water in
⑨	Evaporator entering water temperature sensor
⑩	Freeze up sensor
⑪	Condenser entering water temperature sensor
⑫	Digital display controller
⑬	Power supply intake (Ø 48)

⑭	Ballvalve
⑮	Water filter
⑯	Air purge
⑰	T-joint for air purge
⑱	Flow switch
⑳	Flow switch pipe