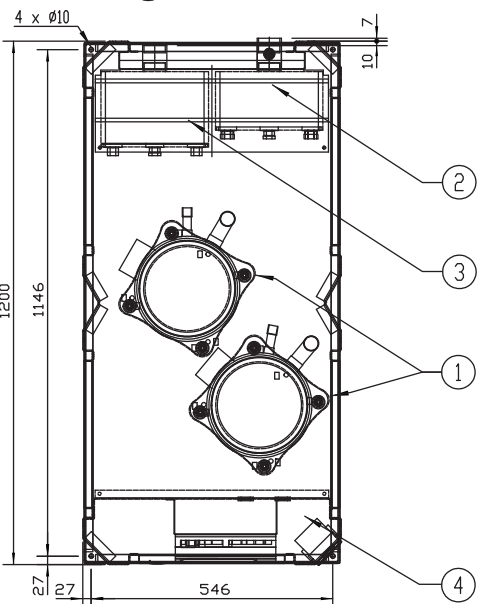
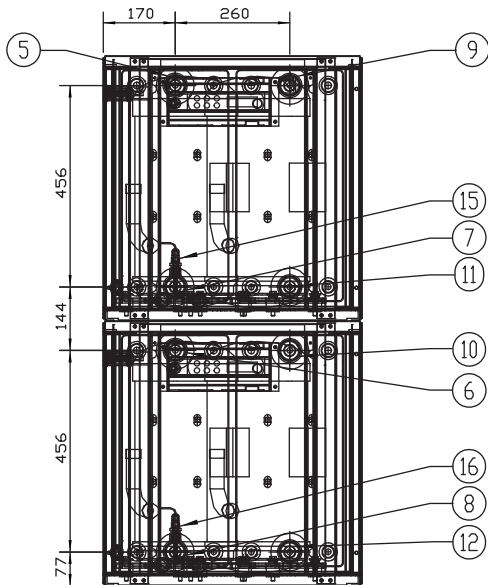


Scale: 1/18



BACKSIDE



①	Compressor
②	Evaporator
③	Condensor
④	Switchbox
⑤	Chilled water in 1
⑥	Chilled water in 2
⑦	Chilled water out 1
⑧	Chilled water out 2

⑨	Condenser water out 1
⑩	Condenser water out 2
⑪	Condenser water in 1
⑫	Condenser water in 2
⑬	Evaporator entering water temperature sensor 1
⑭	Evaporator entering water temperature sensor 2

⑮	Freeze up sensor 1
⑯	Freeze up sensor 2
⑰	Condenser entering water temperature sensor 1
⑱	Condenser entering water temperature sensor 2
⑲	Digital display controller
⑳	Power supply intake (Ø 48)