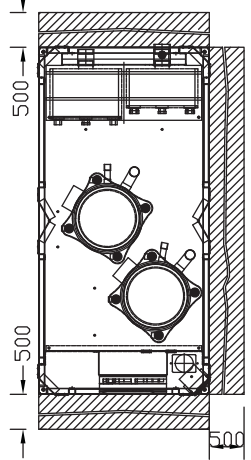
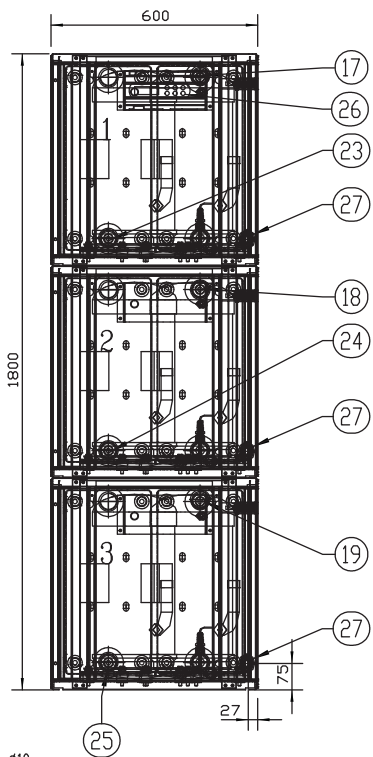
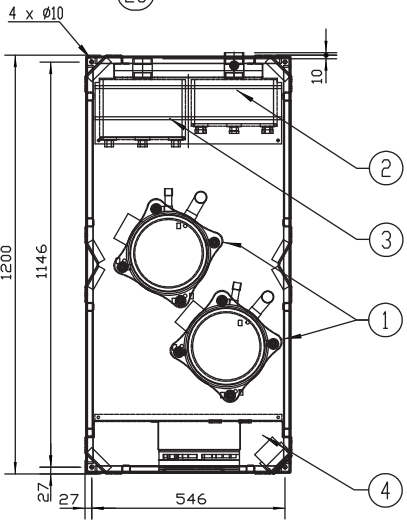


General Tolerance ± 10 mm

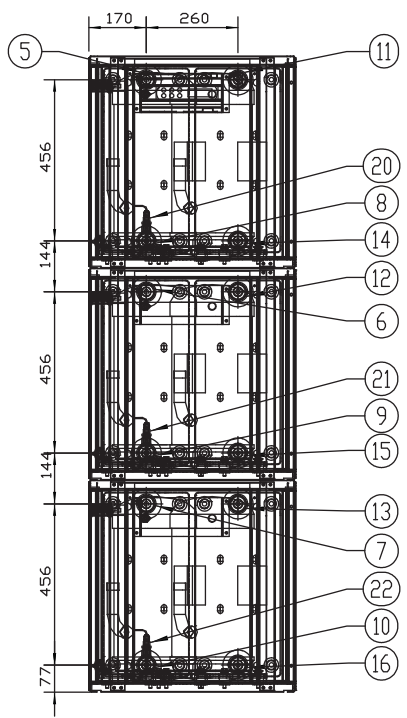
Scale: 1/18



Required service space around the unit



BACKSIDE



①	Compressor
②	Evaporator
③	Condenser
④	Switchbox
⑤	Chilled water in 1
⑥	Chilled water in 2
⑦	Chilled water in 3
⑧	Chilled water out 1
⑨	Chilled water out 2
⑩	Chilled water out 3
⑪	Condenser water out 1

⑫	Condenser water out 2
⑬	Condenser water out 3
⑭	Condenser water in 1
⑮	Condenser water in 2
⑯	Condenser water in 3
⑰	Evaporator entering water temperature sensor 1
⑱	Evaporator entering water temperature sensor 2
⑲	Evaporator entering water temperature sensor 3
⑳	Freeze up sensor 1

㉑	Freeze up sensor 2
㉒	Freeze up sensor 3
㉓	Condenser entering water temperature sensor 1
㉔	Condenser entering water temperature sensor 2
㉕	Condenser entering water temperature sensor 3
㉖	Digital display controller
㉗	Power supply intake (ø 48)