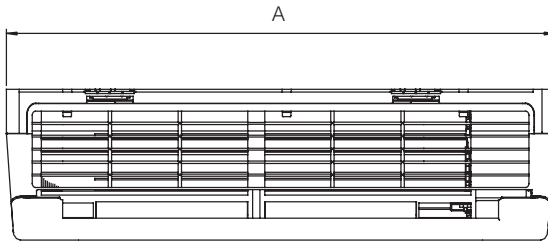
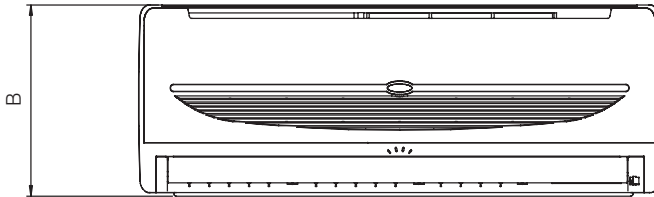


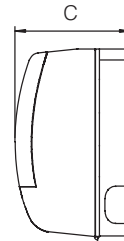
FWT (02, 03, 04)



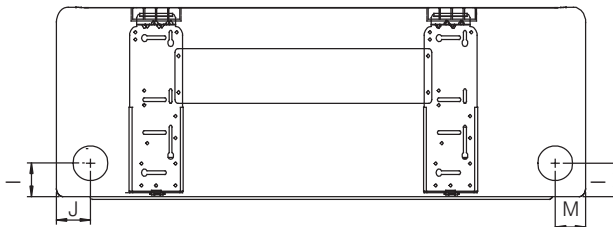
TOP VIEW



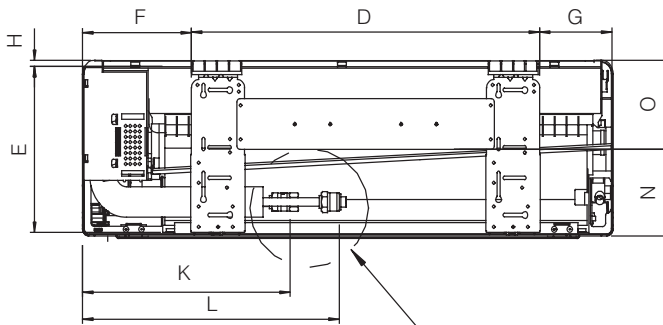
FRONT VIEW



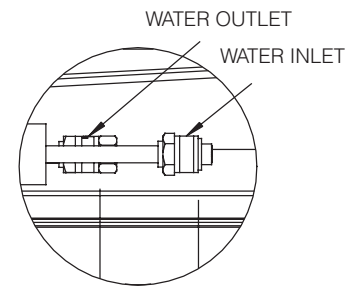
SIDE VIEW



INSTALLATION PLATE



SEE DETAIL A



DETAIL A

Dimension	A	B	C	D	E	F	G	H	I	J	K	L	M	N	O
FWT02AATNMV1	799 (31,5)	260 (10,2)	198 (7,8)	379 (15,0)	246 (9,7)	185 (7,3)	124 (4,9)	8 (0,3)	56 (2,2)	50 (2,0)	350 (13,8)	379 (15,0)	50 (2,0)	128 (5,1)	132 (5,2)
FWT03AATNMV1 / FWT04AATNMV1	899 (35,4)	260 (10,2)	198 (7,8)	590 (23,2)	246 (9,7)	185 (7,3)	124 (4,9)	8 (0,3)	56 (2,2)	50 (2,0)	435 (17,1)	495 (19,5)	50 (2,0)	128 (5,1)	132 (5,2)