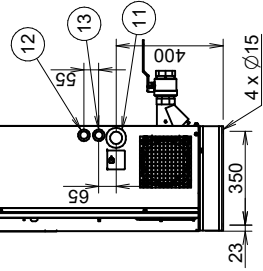
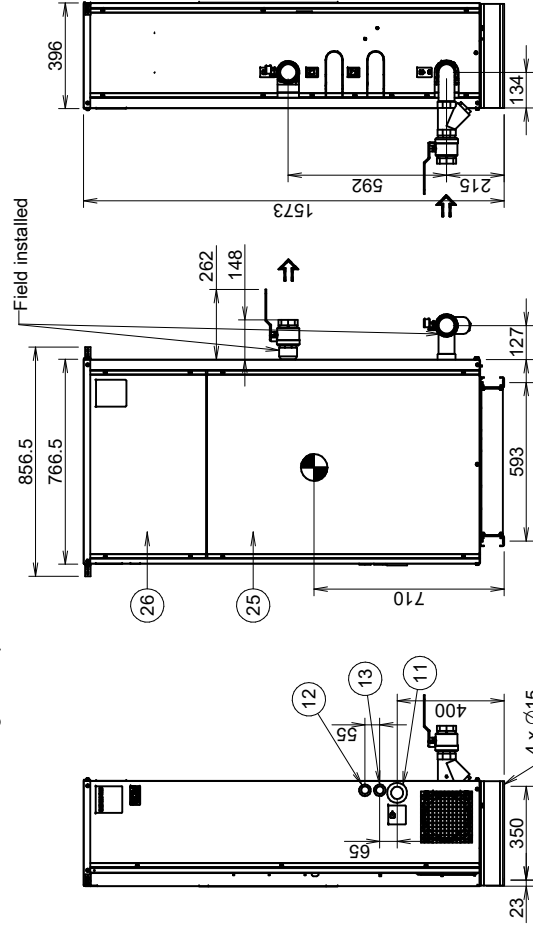
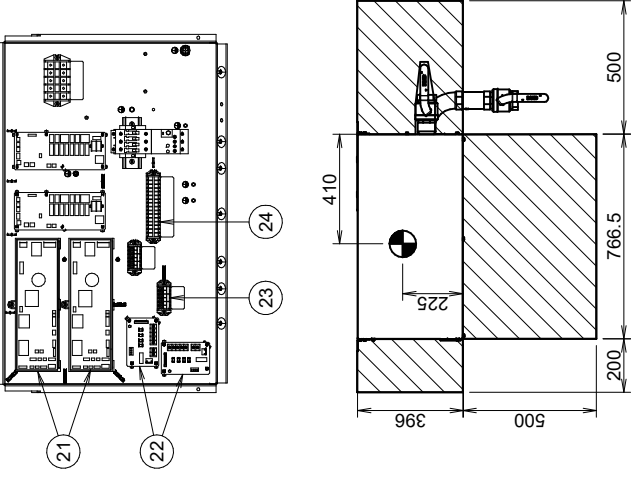
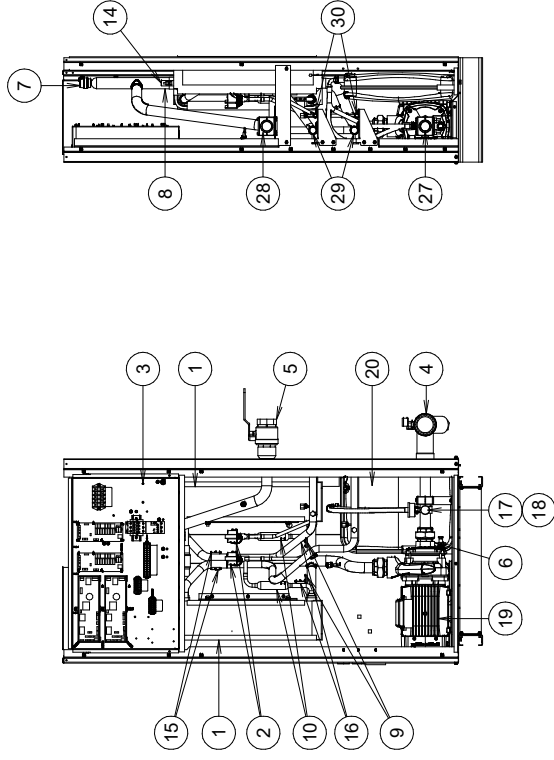


- 01 Brazed plate heat exchanger
- 02 Expansion valve
- 03 Switch box
- 04 Chilled water IN - G 2 SHUTOFF VALVE - (female)
- 05 Chilled water OUT - G 2 SHUTOFF VALVE - (female)
- 06 Drain
- 07 Air purge
- 08 Leaving water temperature sensor
- 09 Entering water temperature sensor
- 10 Refrigerant filter
- 11 Power supply wiring intake ·Ø45·
- 12 Low voltage wiring intake ·Ø29·
- 13 High voltage wiring intake ·Ø29·
- 14 Flow switch
- 15 Gas pipe sensor
- 16 Liquid pipe sensor
- 17 Safety valve
- 18 Pressure gauge
- 19 Pump
- 20 Expansion vessel
- 21 Main PCB
- 22 Demand PCB Optional
- 23 Terminal block (low voltage)
- 24 Terminal block (high voltage)
- 25 Service panel
- 26 Switch box service panel
- 27 Water pressure port before brazed plate heat exchanger
- 28 Water pressure port after brazed plate heat exchanger
- 29 Refrigerant gas connection ·1 INCH·
- 30 Refrigerant liquid connection ·1/2 INCH·



Legend

- Required space for service and ventilation
- Centre of gravity