

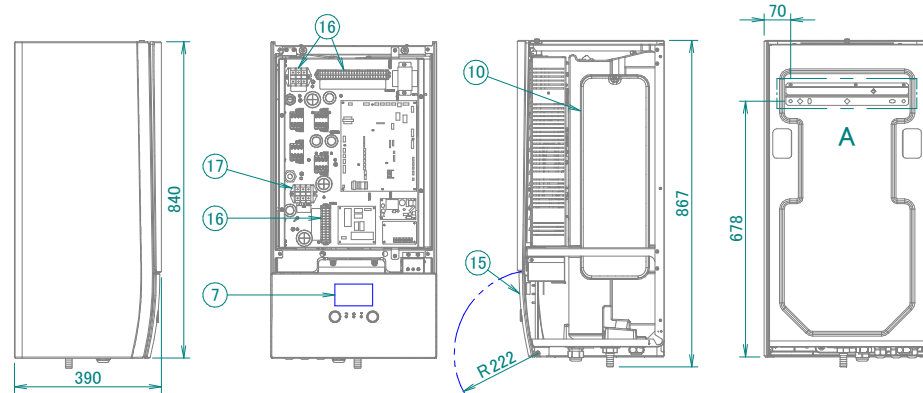
EABH-D6V

EABH-D9W

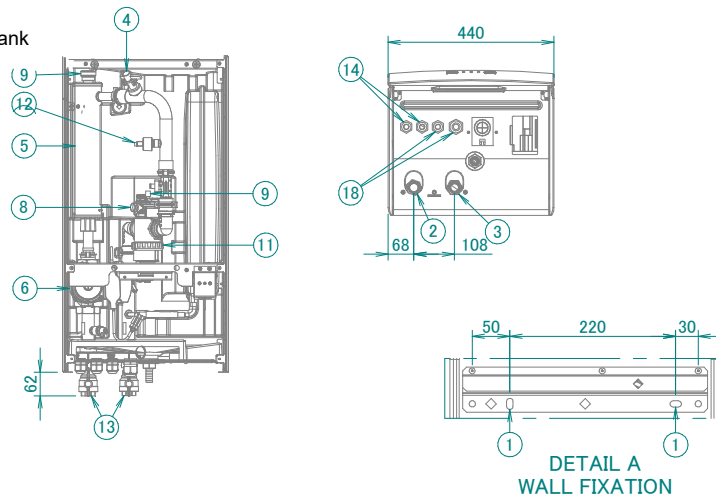
EABX-D6V

EABX-D9W

- 1 Holes (Ø8.5) for wall fixation
- 2 Water out connection (1" F BSP)
- 3 Water in connection (1" F BSP)
- 4 Flow switch
- 5 Backup heater
- 6 Pump
- 7 User interface
- 8 Safety valve Pressure
- 9 Air purge
- 10 Expansion vessel
- 11 Magnetic filter / dirt separator
- 12 Space heating water pressure sensor
- 13 Shut-off valves
- 14 Wire entrance of the power supply /communication wire



- 15 Service door
- 16 Switch box terminals
- 17 Switch box terminals for the domestic hot water tank (option)
- 18 Options



DETAIL A
WALL FIXATION