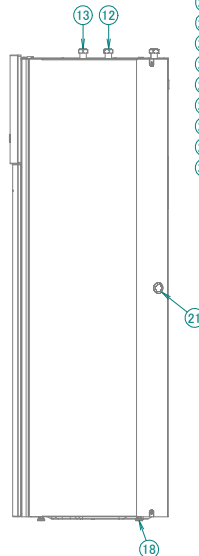
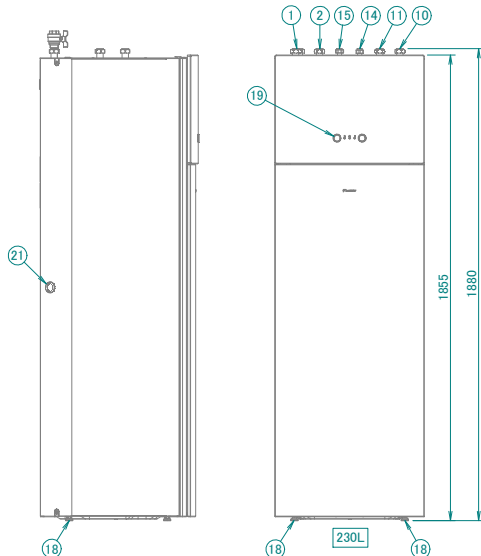
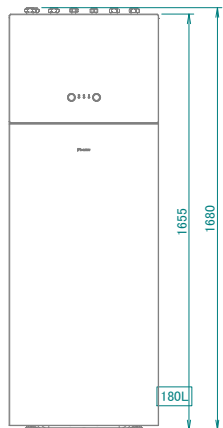
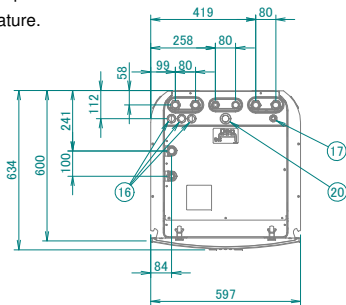
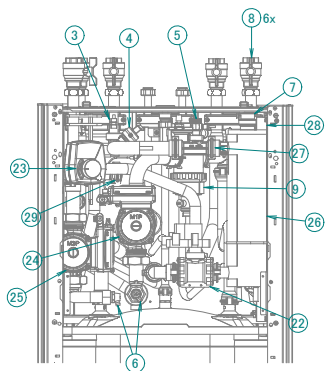


EAVZ-D6W

EAVZ-D9W

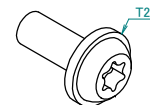
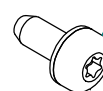
The additional zone is the temperature zone with the highest temperature.
 The main zone is the temperature zone with the lowest temperature.



- ① Water out connection -1".
- ② Water in connection -1".
- ③ Flow switch
- ④ Space heating water pressure sensor
- ⑤ Safety valve
- ⑥ Drain valve water circuit
- ⑦ Air purge
- ⑧ Shut-off valve
- ⑨ Magnetic filter / dirt separator (additional/direct zone)
- ⑩ Water IN connection (additional/direct zone) -1" F BSP. (female)
- ⑪ Water OUT connection (additional/direct zone) -1" F BSP. (female)
- ⑫ Water IN connection (main/mixed zone) -1" F BSP. (female)
- ⑬ Water OUT connection (main/mixed zone) -1" F BSP. (female)
- ⑭ Domestic hot water: cold water in -3/4" F BSP.
- ⑮ Domestic hot water: hot water out -3/4" F BSP.
- ⑯ High voltage wiring intake -Ø 24mm-
- ⑰ Low voltage wiring intake -Ø 15mm-
- ⑱ Levelling feet
- ⑲ User interface
- ⑳ Recirculation connection -G 3/4"- (female)
- ㉑ Drain outlet (unit + safety valve)
- ㉒ 3-way valve (space heating/domestic hot water)
- ㉓ 3-way valve (mixing valve for the main/mixed zone)
- ㉔ Pump (additional/direct zone)
- ㉕ Pump (main/mixed zone)
- ㉖ Backup heater
- ㉗ Flow sensor
- ㉘ Expansion vessel
- ㉙ Water filter (main/mixed zone)

To outdoor unit

Screws used in this unit:



The typical field installation has to be done according to the applicable legislation.

For examples, refer to the installer reference guide.