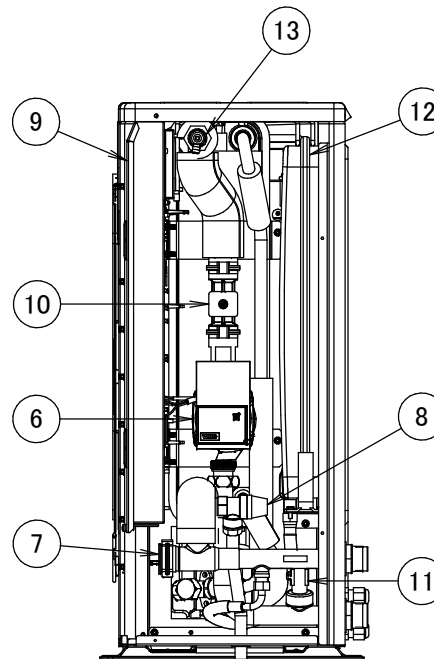
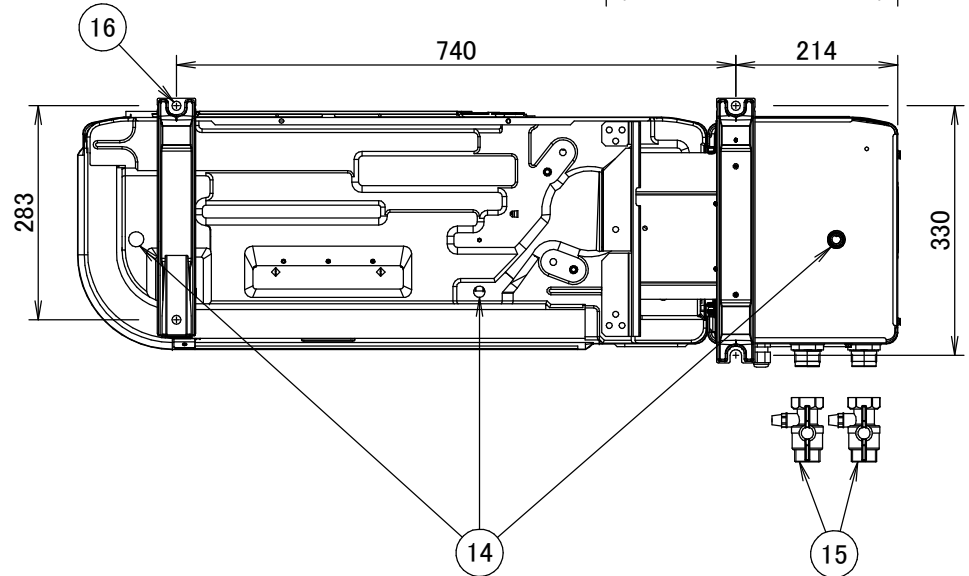
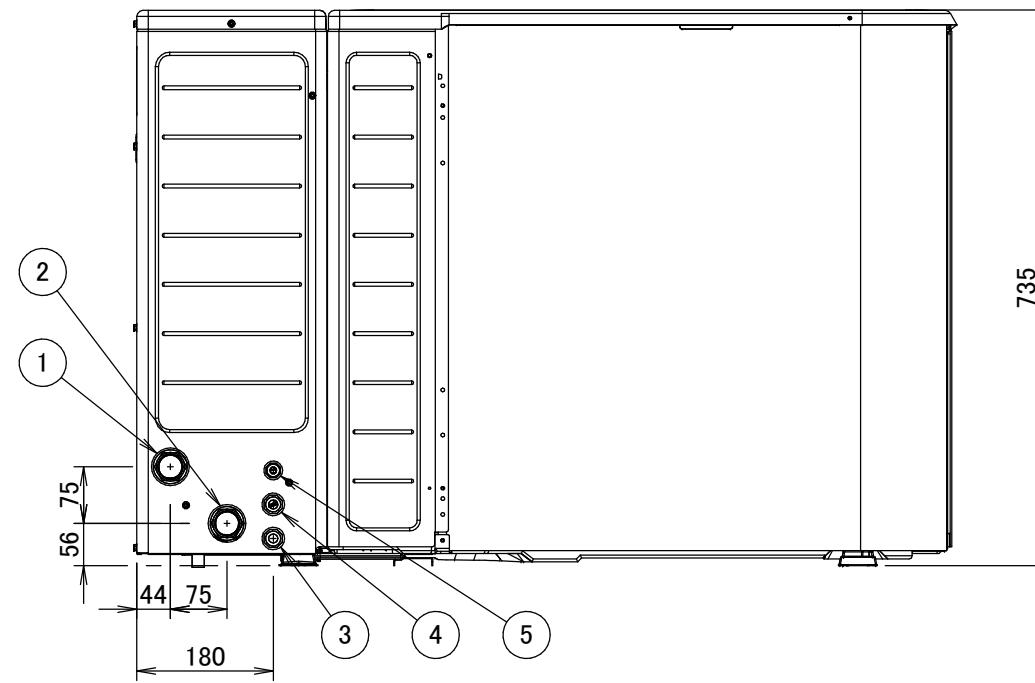
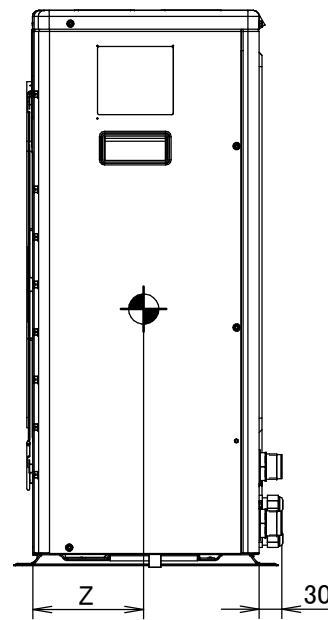
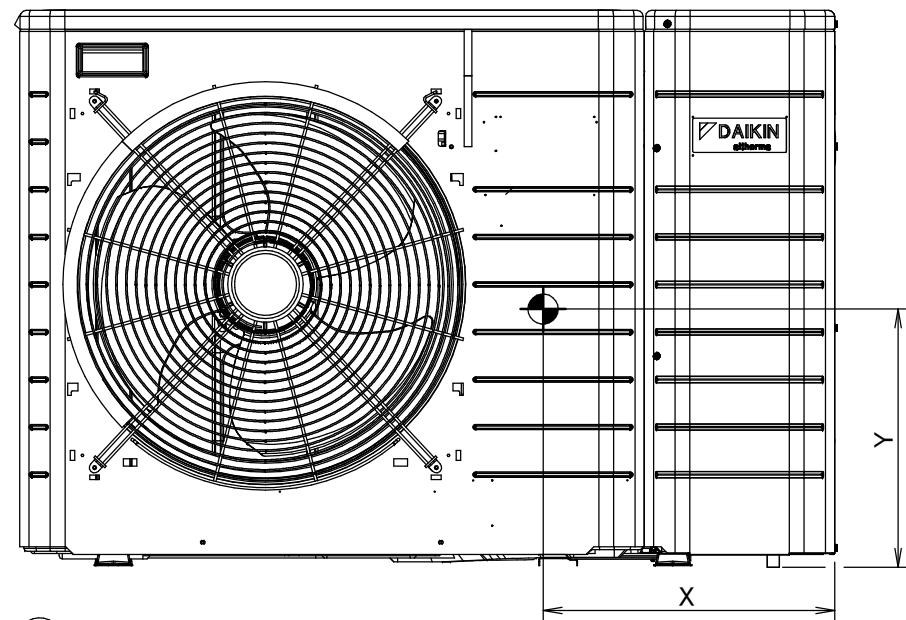


MODEL	X	Y	Z
E(B/D)LQ05*	399	329	158
E(B/D)LQ07*	372	340	153



- ① Water in connection 1" M
- ② Water out connection 1" M
- ③ Wiring intake (power supply)
- ④ Wiring intake (high voltage wiring)
- ⑤ Wiring intake (low voltage wiring)
- ⑥ Pump
- ⑦ Water filter
- ⑧ Safety valve
- ⑨ Switch box
- ⑩ Flow sensor
- ⑪ Flow switch
- ⑫ Expansion vessel
- ⑬ Air purge valve
- ⑭ Drain outlet
- ⑮ Shut-off valve with drain / fill valve 1" (included accessory)
- ⑯ 4 holes for anchor bolts