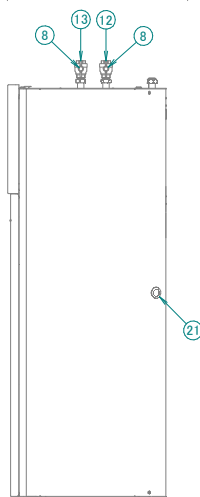
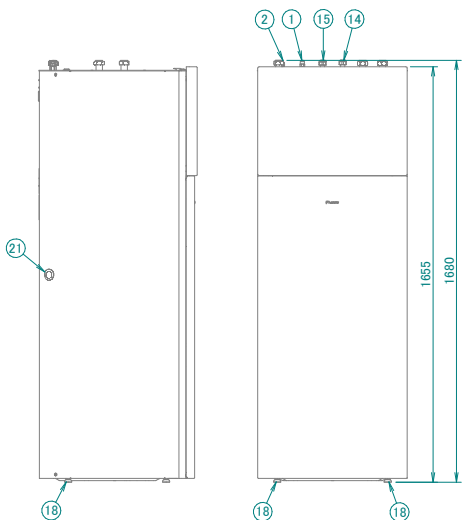
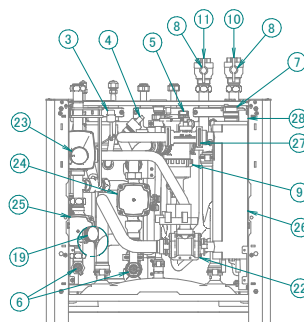
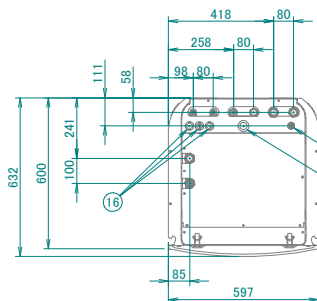


# EHFZ-D3V

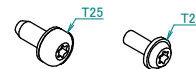
The additional zone is the temperature zone with the highest temperature.

The main zone is the temperature zone with the lowest temperature.



- ① Gas pipe connection · Ø 9.52mm · flare
- ② Liquid pipe connection · Ø 6.35mm · flare
- ③ Refrigerant pressure sensor
- ④ Space heating water pressure sensor
- ⑤ Safety valve
- ⑥ Drain valve water circuit
- ⑦ Air purge
- ⑧ Shut-off valve
- ⑨ Magnetic filter / dirt separator (additional/direct zone)
- ⑩ Water IN connection (additional/direct zone) · 1" F BSP · (female)
- ⑪ Water OUT connection (additional/direct zone) · 1" F BSP · (female)
- ⑫ Water IN connection (main/mixed zone) · 1" F BSP · (female)
- ⑬ Water OUT connection (main/mixed zone) · 1" F BSP · (female)
- ⑭ Domestic hot water: cold water in · 3/4" F BSP ·
- ⑮ Domestic hot water: hot water out · 3/4" F BSP ·
- ⑯ High voltage wiring intake · Ø 24mm ·
- ⑰ Low voltage wiring intake · Ø 15mm ·
- ⑱ Levelling feet
- ⑲ Water filter (main/mixed zone)
- ⑳ Recirculation connection · G 3/4" · (female)
- ㉑ Drain outlet (unit + safety valve)
- ㉒ 3-way valve (space heating/domestic hot water)
- ㉓ 3-way valve (mixing valve for the main/mixed zone)
- ㉔ Pump (additional/direct zone)
- ㉕ Pump (main/mixed zone)
- ㉖ Backup heater
- ㉗ Flow sensor
- ㉘ Expansion vessel

Screws used in this unit:



The typical field installation has to be done according to the applicable legislation.

For examples, refer to the installer reference guide.