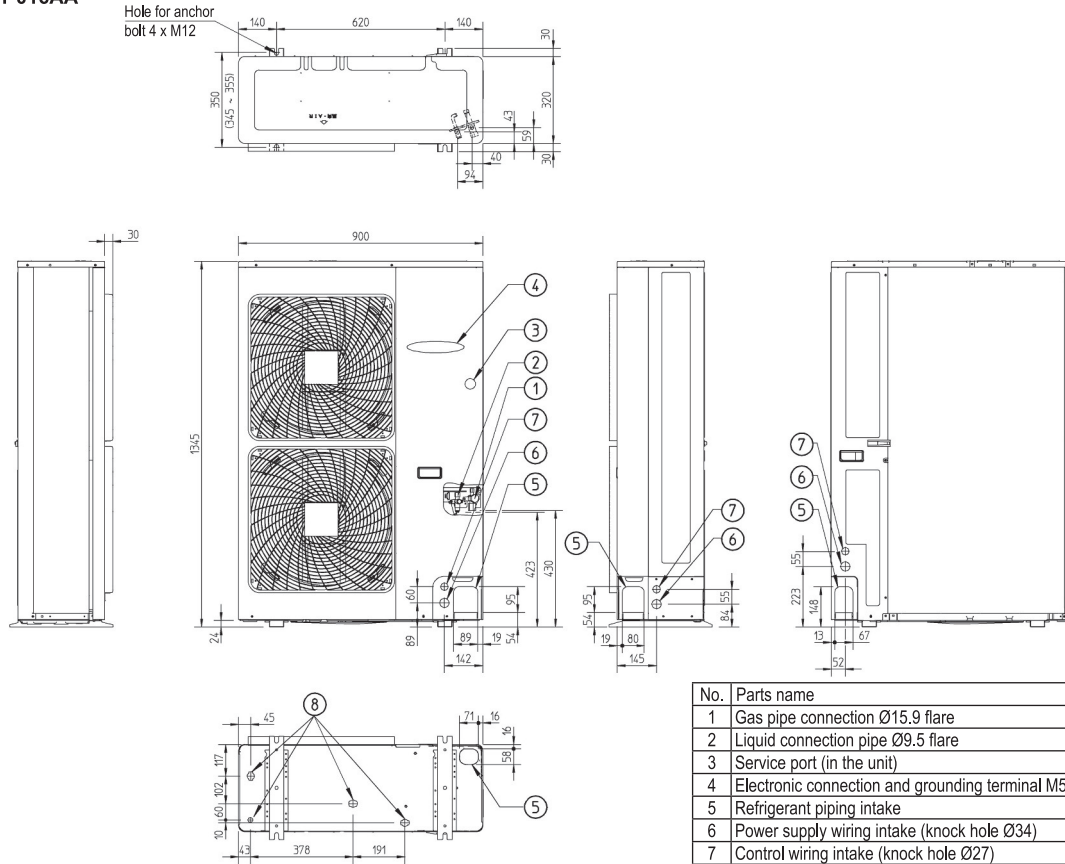


ERRQ011-016AA



No.	Parts name
1	Gas pipe connection Ø15,9 flare
2	Liquid connection pipe Ø9.5 flare
3	Service port (in the unit)
4	Electronic connection and grounding terminal M5 (in switchbox)
5	Refrigerant piping intake
6	Power supply wiring intake (knock hole Ø34)
7	Control wiring intake (knock hole Ø27)
8	Drain outlet