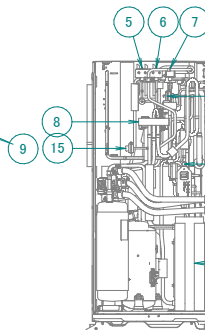
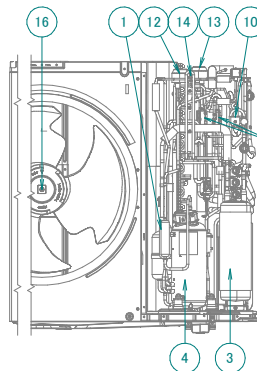
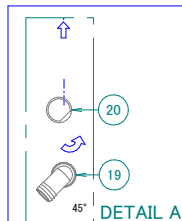
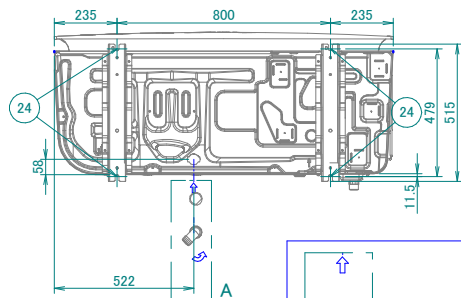
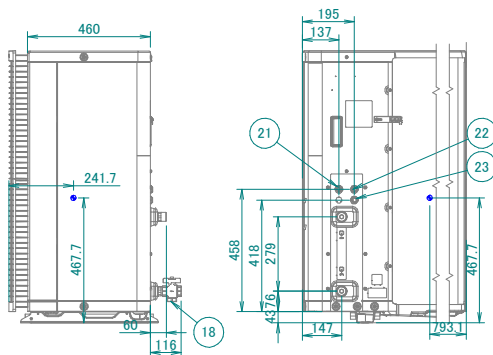
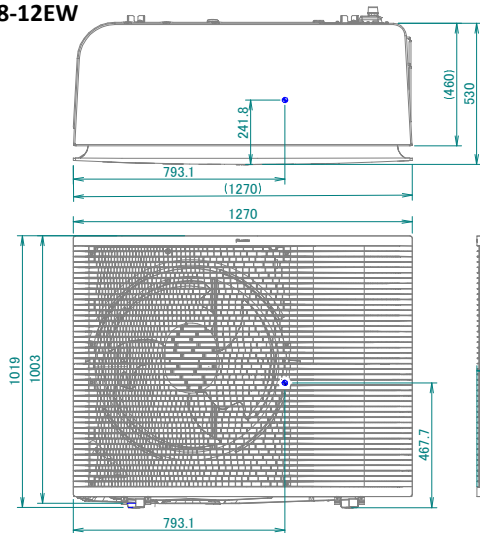


**EPRA08-12EV**  
**EPRA08-12EW**



- 1 Muffler
- 2 High pressure switch ·41.7 bar·
- 3 Accumulator
- 4 Compressor
- 5 Solenoid valve (low pressure bypass)
- 6 Solenoid valve (hot gas pass)
- 7 Solenoid valve (liquid)
- 8 4-way valve
- 9 Capillary tube
- 10 4-way valve
- Coil
- 11 Plate heat exchanger
- 12 Electronic expansion valve (main)
- 13 Electronic expansion valve (injection)
- 14 High pressure switch ·46 bar·
- 15 Pressure sensor
- 16 Fan
- 17 Service port ·5/16"· flare
- 18 Shut-off valve / filter (included accessory)
- 19 Drain elbow (included accessory)
- 20 Sealing (included accessory)
- 21 Drain tube heater cable intake
- 22 Interconnection cable intake
- 23 Power supply cable intake
- 24 4 holes for anchor bolts
- M12
- 25 Outlet ·1"G·
- 26 Inlet ·1"G·