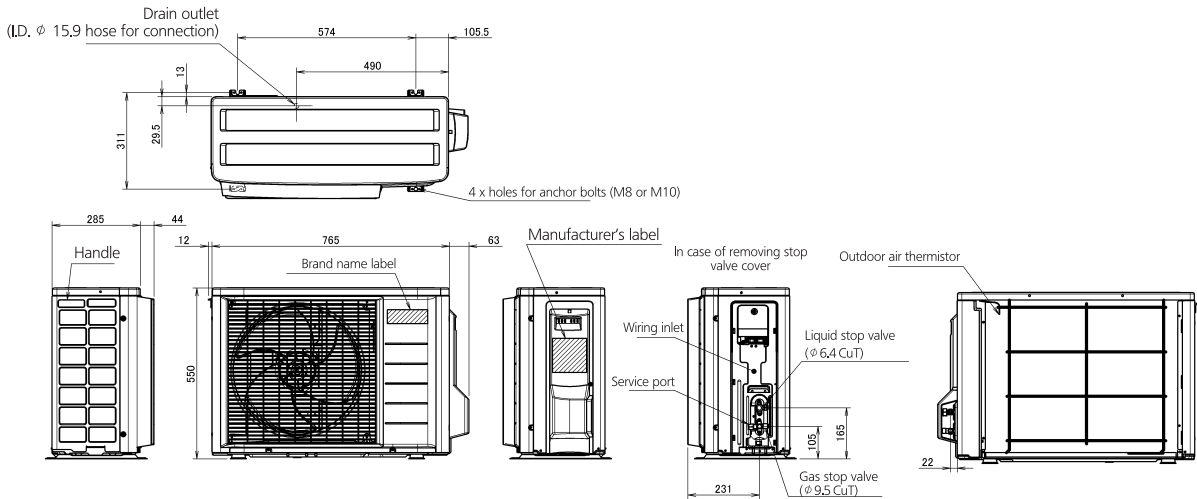


ERWQ-AV3



Minimum space for air passage

Wall height on air outlet side = less than 1200

