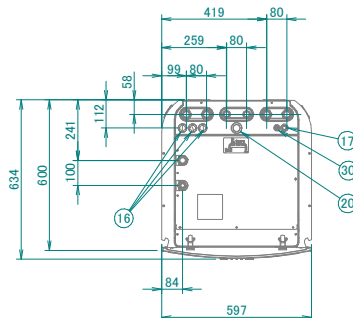
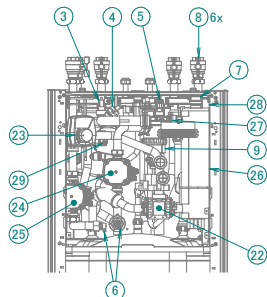
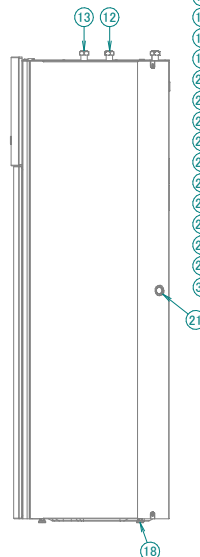
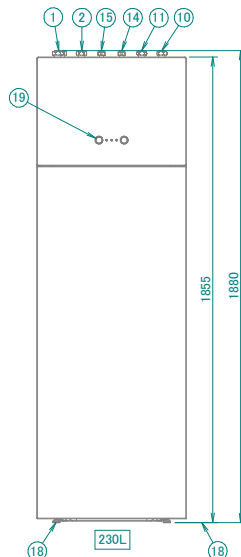
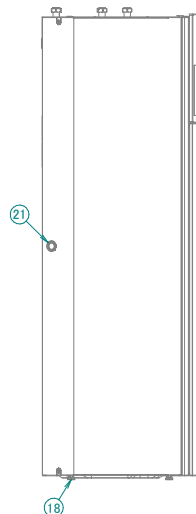
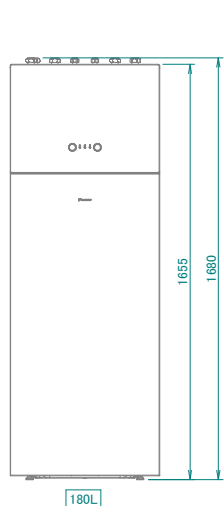


The additional zone is the temperature zone with the highest temperature.
The main zone is the temperature zone with the lowest temperature.



- ① Water out connection ·1"
- ② Water in connection ·1"
- ③ Flow switch
- ④ Space heating water pressure sensor
- ⑤ Safety valve
- ⑥ Drain valve water circuit
- ⑦ Air purge
- ⑧ Shut-off valve
- ⑨ Magnetic filter / dirt separator (additional/direct zone)
- ⑩ Water IN connection (additional/direct zone) ·1" F BSP· (female)
- ⑪ Water OUT connection (additional/direct zone) ·1" F BSP· (female)
- ⑫ Water IN connection (main/mixed zone) ·1" F BSP· (female)
- ⑬ Water OUT connection (main/mixed zone) ·1" F BSP· (female)
- ⑭ Domestic hot water: cold water in ·3/4" F BSP·
- ⑮ Domestic hot water: hot water out ·3/4" F BSP·
- ⑯ High voltage wiring intake ·Ø 24mm·
- ⑰ Low voltage wiring intake ·Ø 15mm·
- ⑱ Levelling feet
- ⑲ User interface
- ⑳ Recirculation connection ·G 3/4"· (female)
- ㉑ Drain outlet (unit + safety valve)
- ㉒ 3-way valve (space heating/domestic hot water)
- ㉓ 3-way valve (mixing valve for the main/mixed zone)
- ㉔ Pump (additional/direct zone)
- ㉕ Pump (main/mixed zone)
- ㉖ Backup heater
- ㉗ Flow sensor
- ㉘ Expansion vessel
- ㉙ Water filter (main/mixed zone)
- ㉚ Low voltage wiring intake (options)

To outdoor unit



The typical field installation has to be done according to the applicable legislation. For examples, refer to the installer reference guide.

Screws used in this unit:

