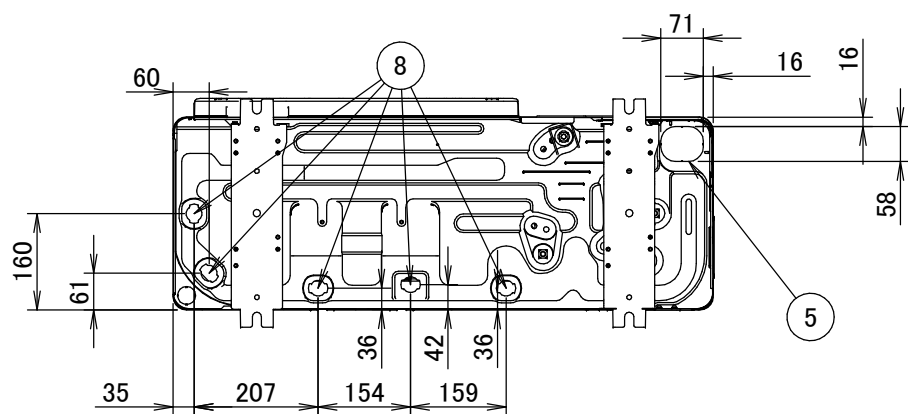
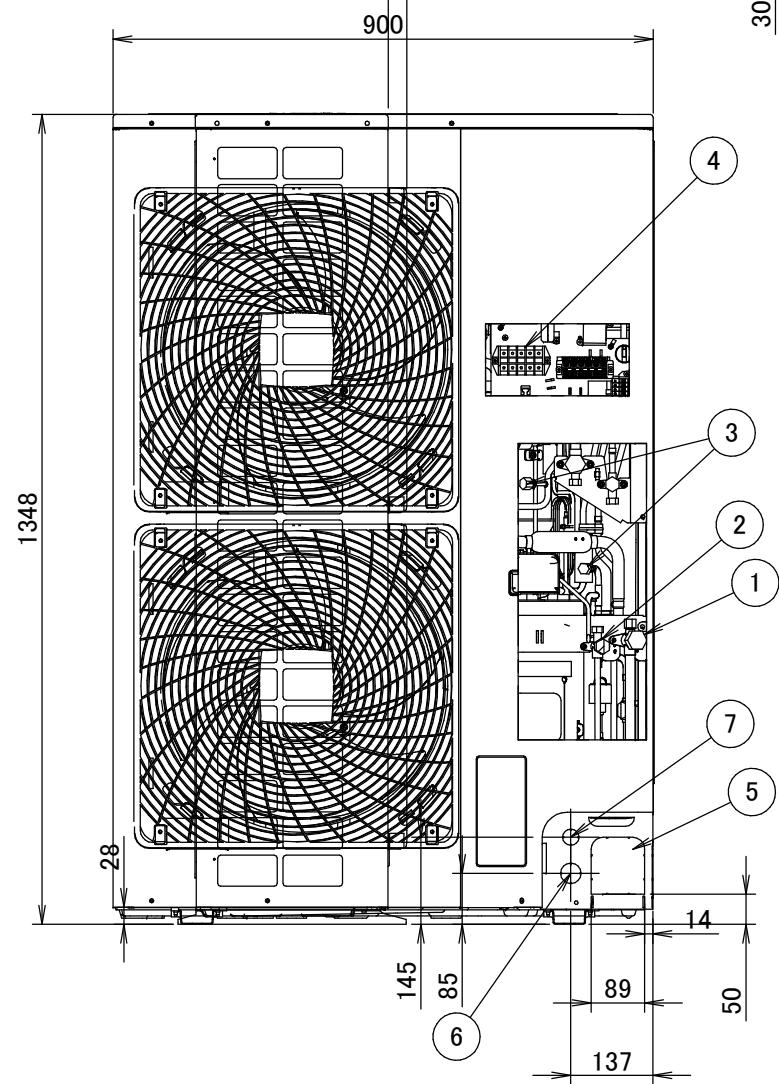
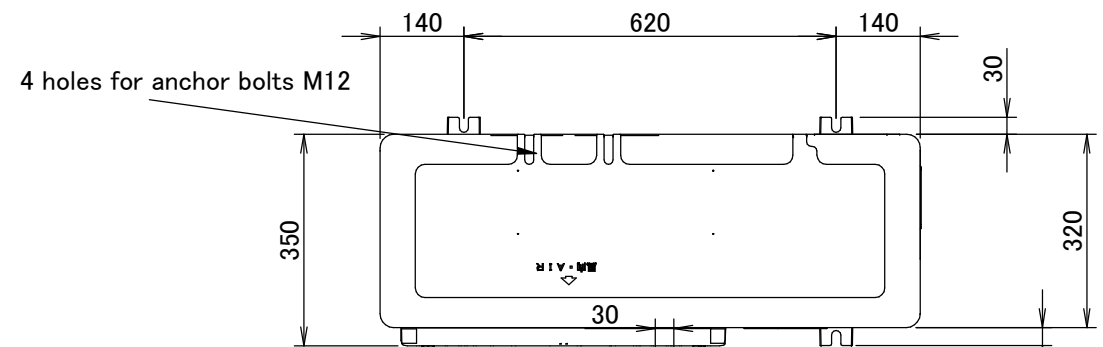
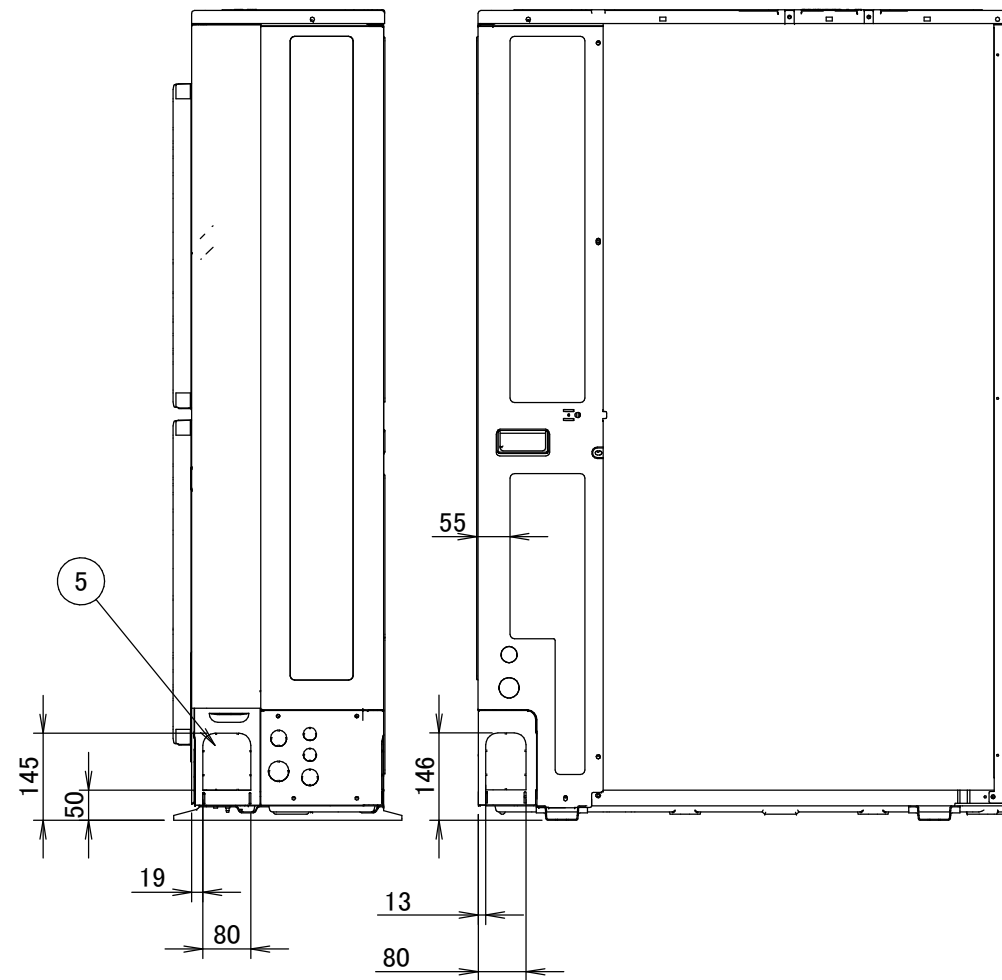


LRMEQ-BY1



| | |
|---|---|
| 1 | Gas pipe connection Ø19.1 brazing |
| 2 | Liquid pipe connection Ø9.5 brazing |
| 3 | (2X) Service port (in the unit) |
| 4 | Electronic connection and grounding terminal M5 (in the switch box) |
| 5 | Refrigerant piping intake |
| 6 | Power supply and output signal wiring intake (knockout hole Ø34) |
| 7 | Control wiring intake (knockout hole Ø27) |
| 8 | Drain outlet |



3D111429