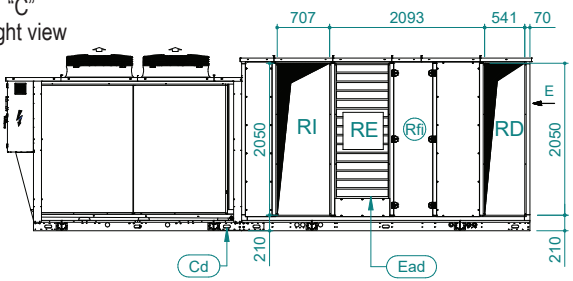
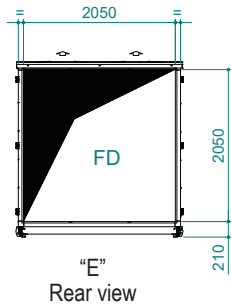
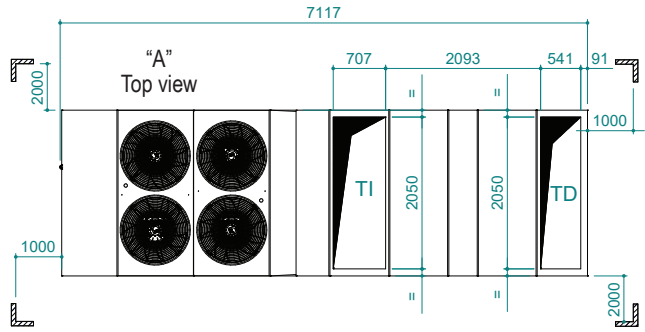
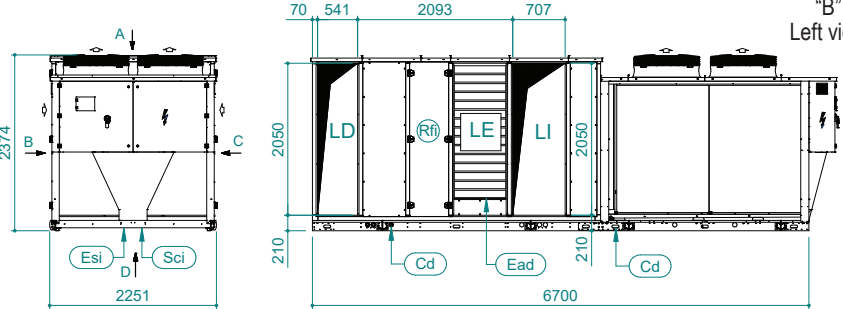


UATYA140-190BFC3Y1

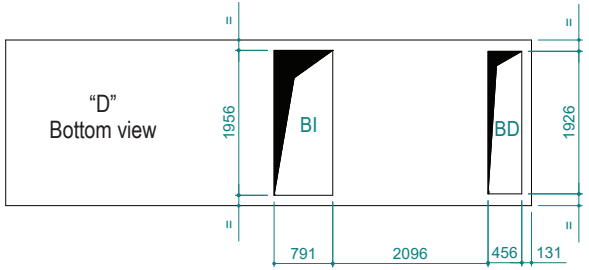
"C" Right view



"B" Left view



Air direction			
Air direction	Discharge	Intake	External
Left	LD	LI	LE
Right	RD	RI	RE
Top	TD	TI	/
Bottom	BD	BI	/
Front	FD	/	/



Sci	Signal cables inlet	Ead	External air damper	Esi	Electrical supply inlet
Cd	Condensate drain 1" male	Rfi	Remove for inspection		Clearances