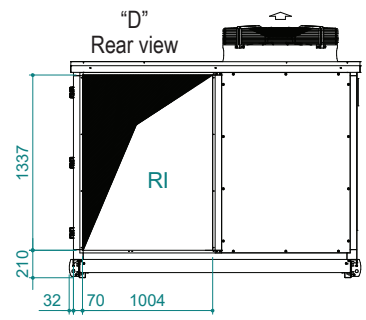
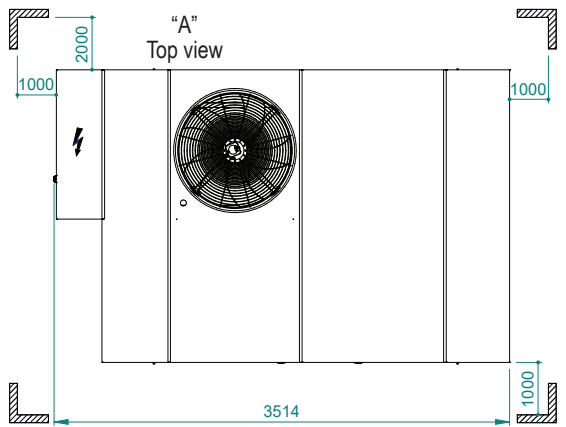
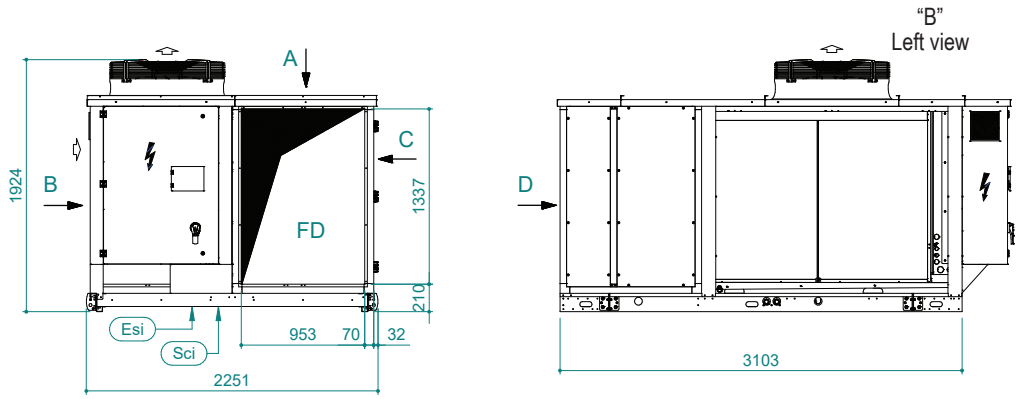
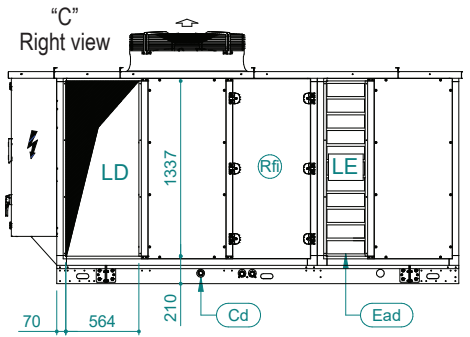


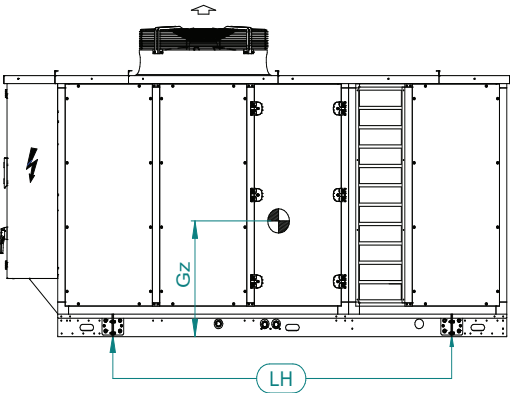
UATYA20-30BFC3Y1



Air direction	Discharge	Intake	External
Left	LD	/	LE
Rear	/	Ri	/
Front	FD	/	/

Sci	Signal cables inlet	Ead	External air damper	Esi	Electrical supply inlet
Cd	Condensate drain 1" male	Rfi	Remove for inspection		Clearances

UATYA20-30BFC3Y1



Fh	Fixing holes	Ø22	LH	Lifting point	G..	Vibration damper foot holds
----	--------------	-----	----	---------------	-----	-----------------------------

Model	Weight (kg)						(mm)		
	Shipping	Operating	G1	G2	G3	G4	Gx	Gy	Gz
UATYA25BFC3Y1	1195	1166	423	218	179	346	1293	1096	847
UATYA30BFC3Y1	1225	1196	432	222	184	358	1285	1090	841

Model	Rubber anti-vibration mounts				Boxes to be ordered *
	G1	G2	G3	G4	
UATYA25BFC3Y1	UATYAAVM2	UATYAAVM1	UATYAAVM1	UATYAAVM2	1 x UATYAAVM1 + 1 x UATYAAVM2
UATYA30BFC3Y1	UATYAAVM2	UATYAAVM1	UATYAAVM1	UATYAAVM2	1 x UATYAAVM1 + 1 x UATYAAVM2

* Each box contains 2 mounts

