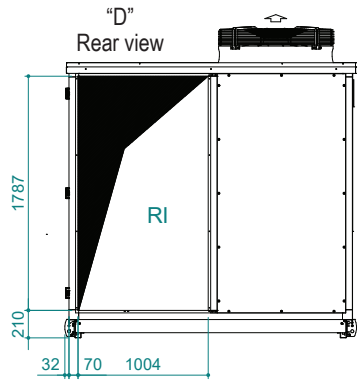
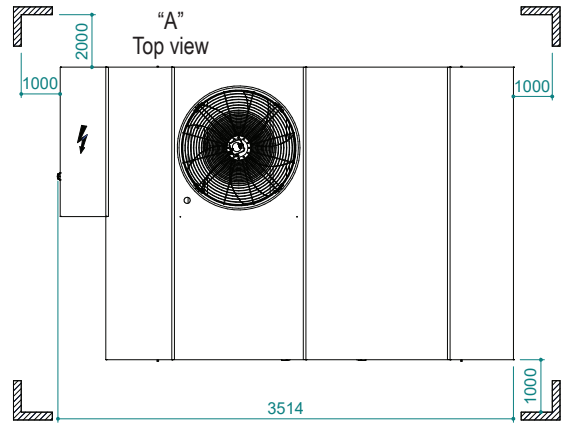
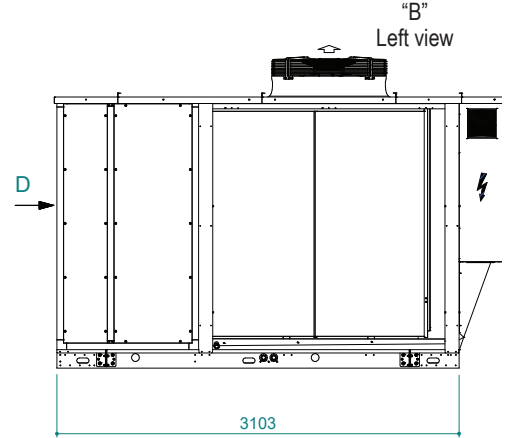
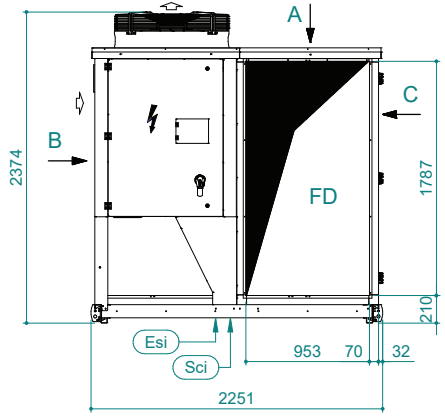
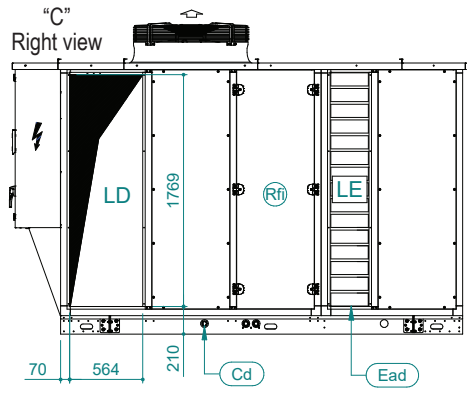


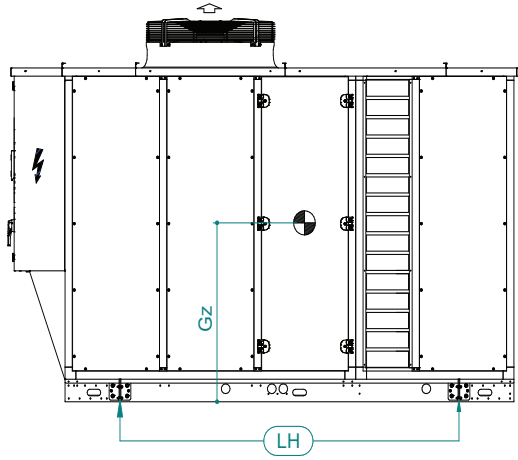
UATYA40-50BFC3Y1



Air direction	Discharge	Intake	External
Left	LD	/	LE
Rear	/	RI	/
Front	FD	/	/

Sci	Signal cables inlet	Ead	External air damper	Esi	Electrical supply inlet
Cd	Condensate drain 1" male	Rfi	Remove for inspection		Clearances

UATYA40-50BFC3Y1



Fh	Fixing holes	Ø22	LH	Lifting point	G..	Vibration damper foot holds
----	--------------	-----	----	---------------	-----	-----------------------------

Model	Weight (kg)						(mm)		
	Shipping	Operating	G1	G2	G3	G4	Gx	Gy	Gz
UATYA40BFC3Y1	1339	1310	284	414	363	249	1309	1064	1055
UATYA50BFC3Y1	1358	1329	287	422	369	251	1310	1064	1053

Model	Rubber anti-vibration mounts				Boxes to be ordered *
	G1	G2	G3	G4	
UATYA40BFC3Y1	UATYAAVM2	UATYAAVM2	UATYAAVM2	UATYAAVM2	1 x UATYAAM1 + 2 x UATYAAM2
UATYA50BFC3Y1	UATYAAVM2	UATYAAVM2	UATYAAVM2	UATYAAVM2	1 x UATYAAM1 + 2 x UATYAAM2

* Each box contains 2 mounts

