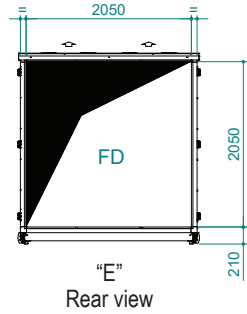
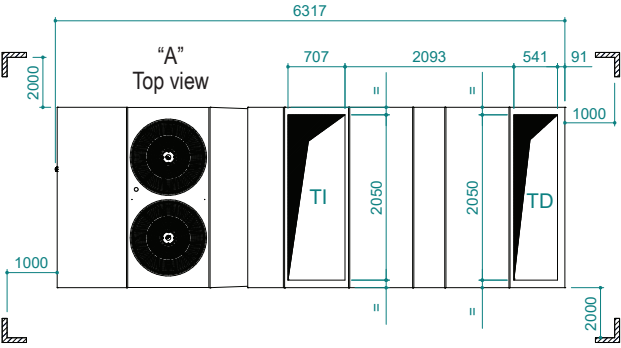
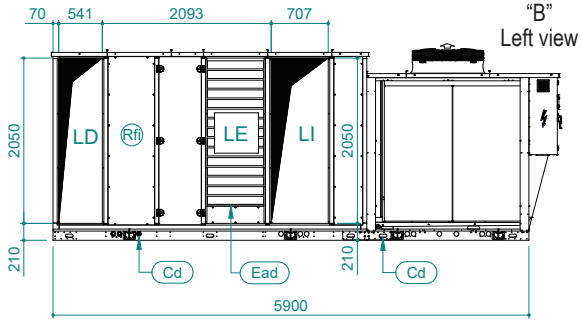
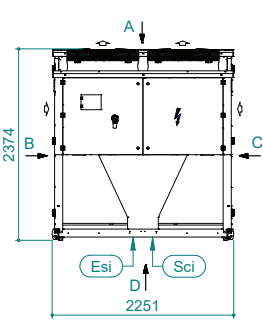
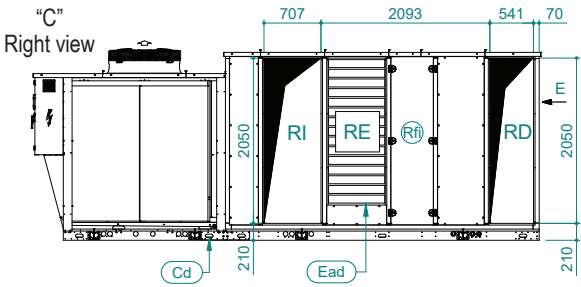
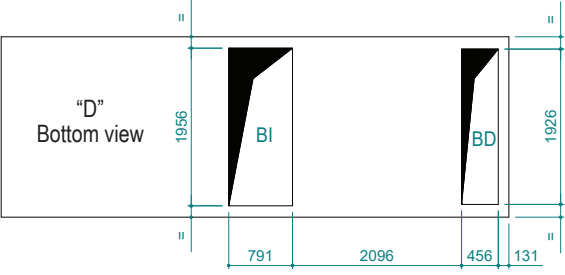


UATYA80-120BFC3Y1

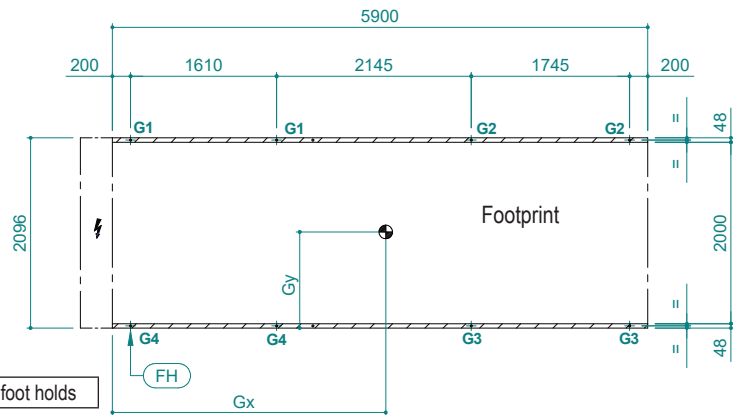
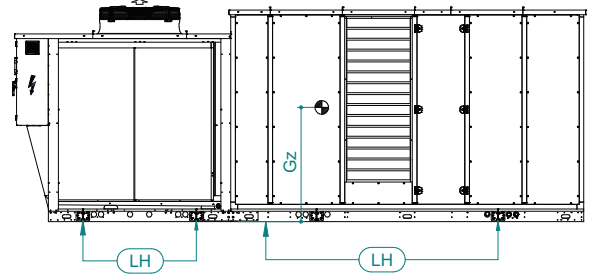


Air direction			
Air direction	Discharge	Intake	External
Left	LD	LI	LE
Right	RD	RI	RE
Top	TD	TI	/
Bottom	BD	BI	/
Rear	FD	/	/



Sci	Signal cables inlet	Ead	External air damper	Esi	Electrical supply inlet
Cd	Condensate drain 1" male	Rfi	Remove for inspection		Clearances

UATYA80-120BFC3Y1



Fh	Fixing holes	Ø22	LH	Lifting point	G..	Vibration damper foot holds
----	--------------	-----	----	---------------	-----	-----------------------------

Model	Weight (kg)							(mm)		
	Shipping	Operating	G1	G2	G3	G4	Gx	Gy	Gz	
UATYA80BFC3Y1	2375	2336	405	243	195	325	2719	1178	1118	
UATYA90BFC3Y1	2421	2382	411	239	199	342	2681	1156	1090	
UATYA100BFC3Y1	2491	2452	419	247	208	352	2688	1150	1079	
UATYA110BFC3Y1	2587	2548	441	269	214	350	2712	1183	1090	
UATYA120BFC3Y1	2597	2558	436	280	220	243	2765	1188	1080	

Model	Rubber anti-vibration mounts				Boxes to be ordered *
	G1	G2	G3	G4	
UATYA80BFC3Y1	UATYAAVM2	UATYAAVM1	UATYAAVM1	UATYAAVM1	3 x UATYAAVM1 + 1 x UATYAAVM2
UATYA90BFC3Y1	UATYAAVM2	UATYAAVM1	UATYAAVM1	UATYAAVM1	3 x UATYAAVM1 + 1 x UATYAAVM2
UATYA100BFC3Y1	UATYAAVM2	UATYAAVM1	UATYAAVM1	UATYAAVM1	3 x UATYAAVM1 + 1 x UATYAAVM2
UATYA110BFC3Y1	UATYAAVM2	UATYAAVM1	UATYAAVM1	UATYAAVM1	3 x UATYAAVM1 + 1 x UATYAAVM2
UATYA120BFC3Y1	UATYAAVM2	UATYAAVM1	UATYAAVM1	UATYAAVM1	3 x UATYAAVM1 + 1 x UATYAAVM2

* Each box contains 2 mount