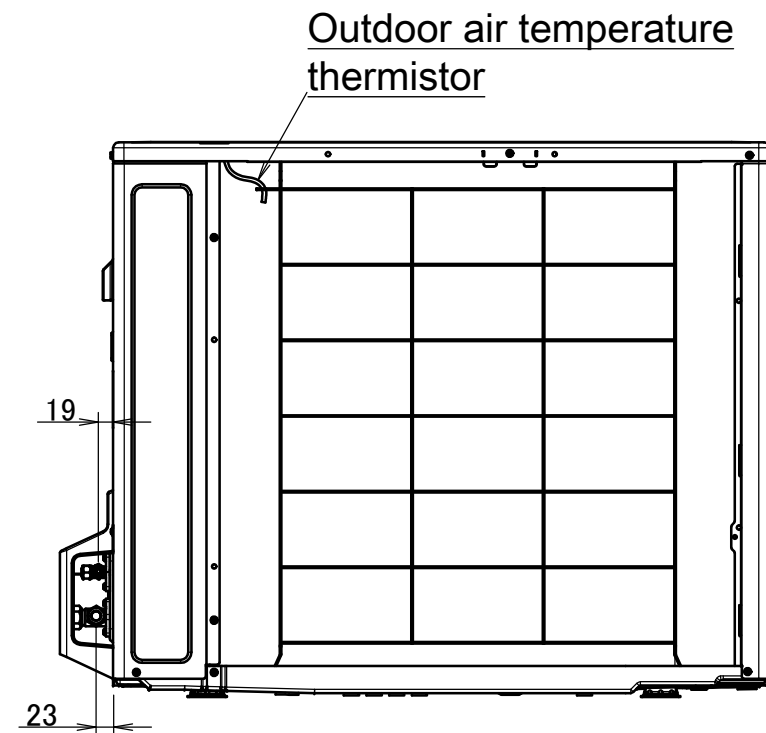
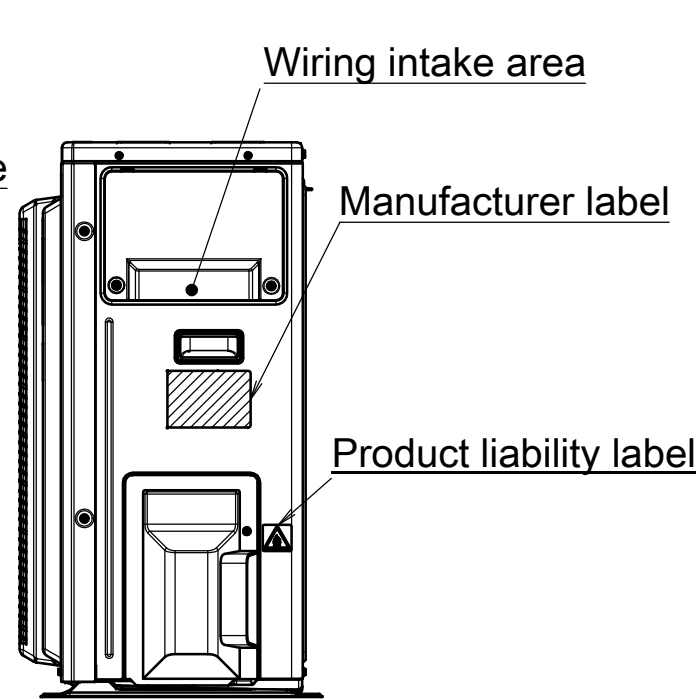
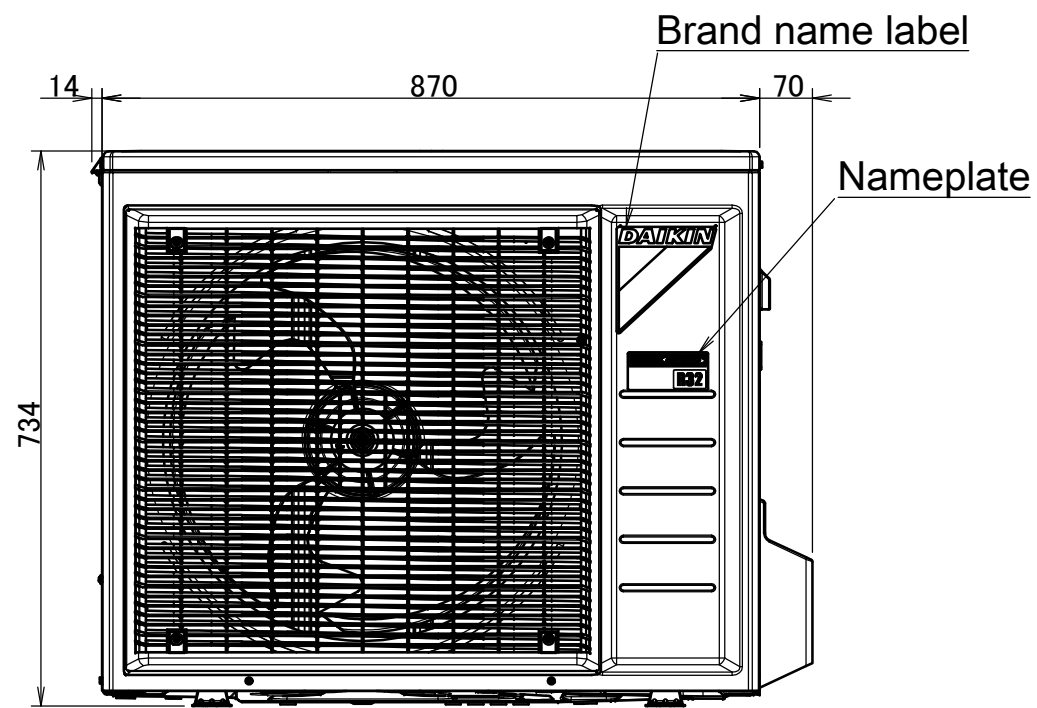
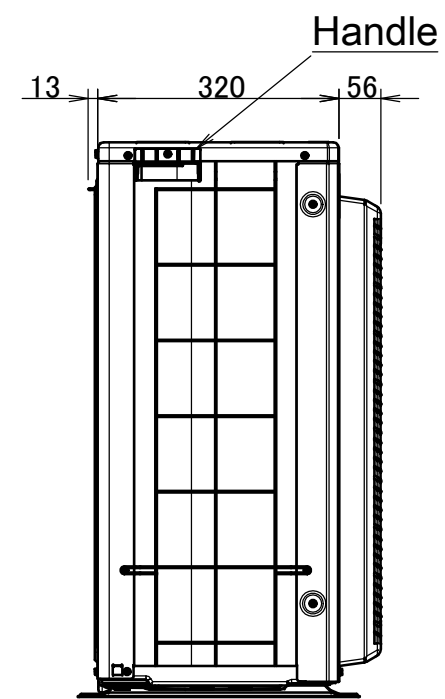
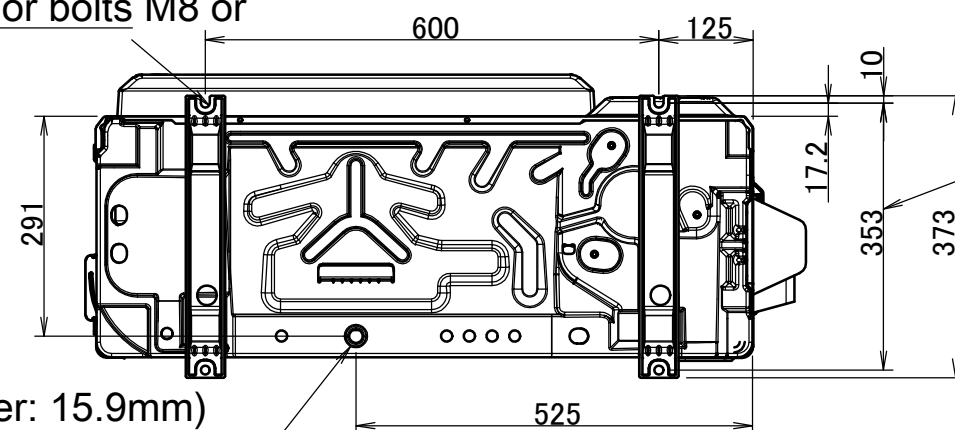


ARXM50N9



4 holes for anchor bolts M8 or M10

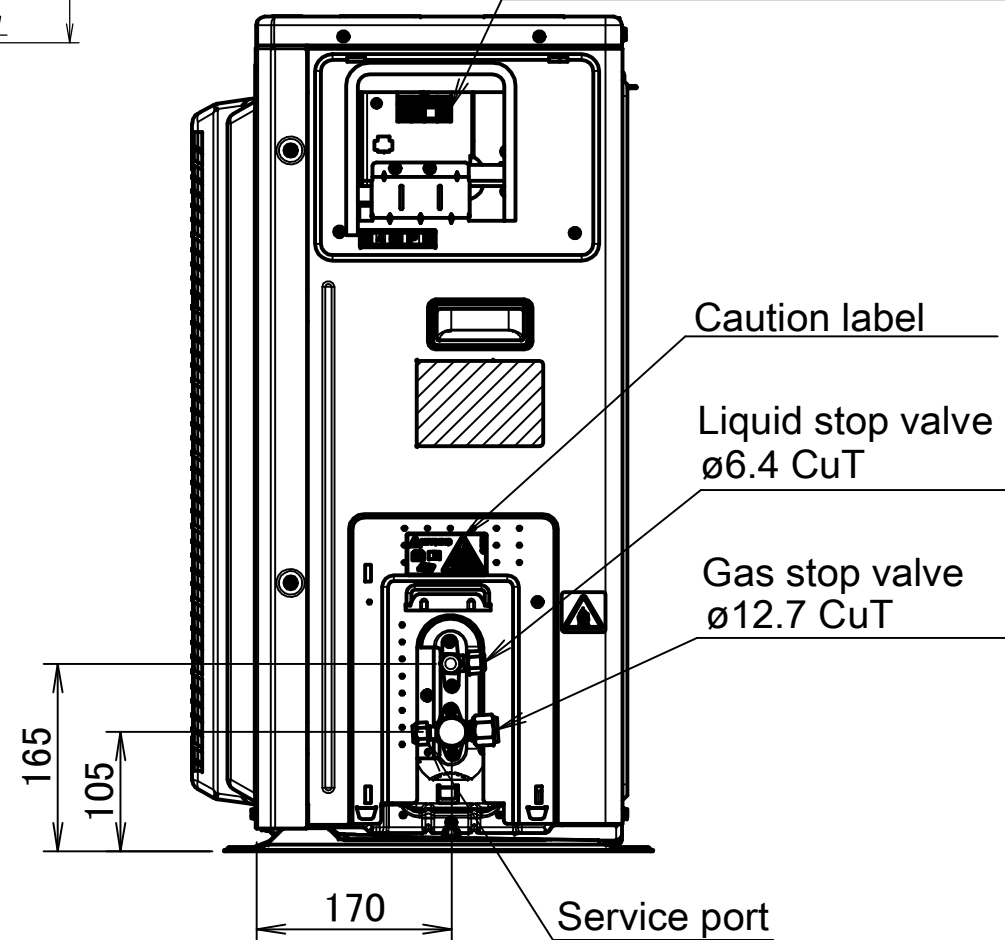


Drain outlet
Connection hose (inside diameter: 15.9mm)

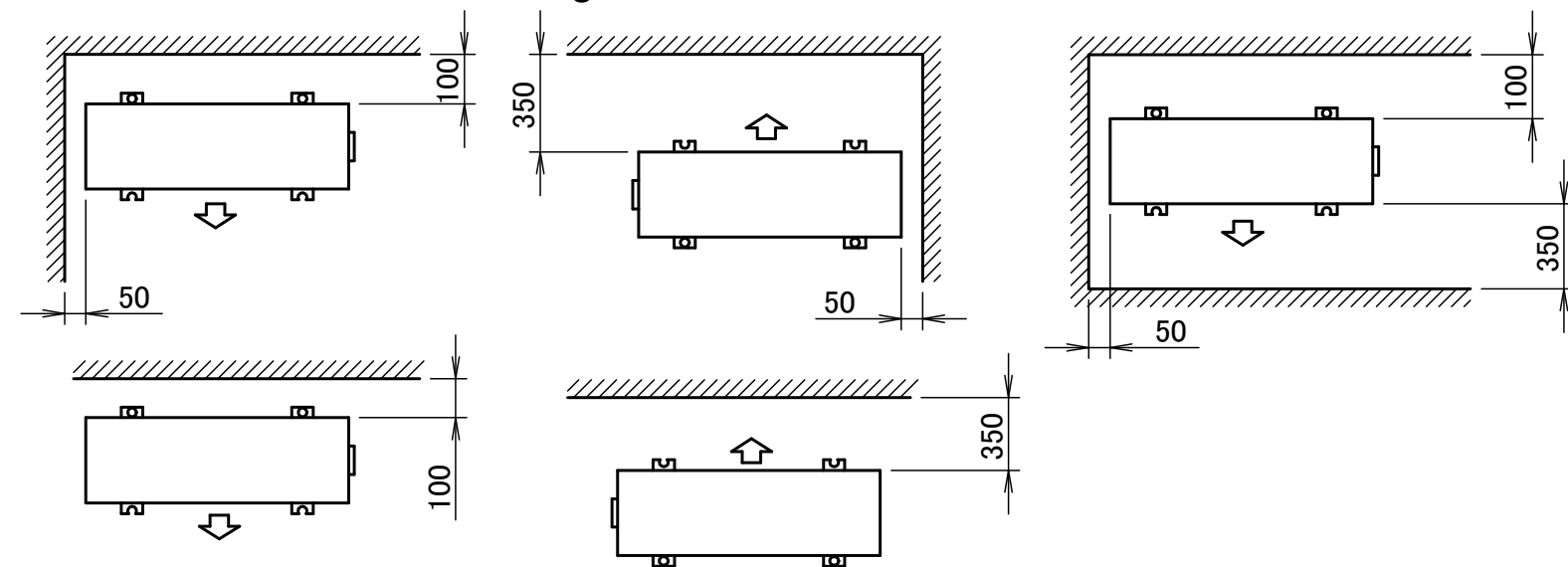
Pitch of foundation bolt holes

In case of removing the stop valve cover.

Terminal strip with earth terminal



Minimum space for air passage
Wall height on air outlet side < 1200 mm



3D114108