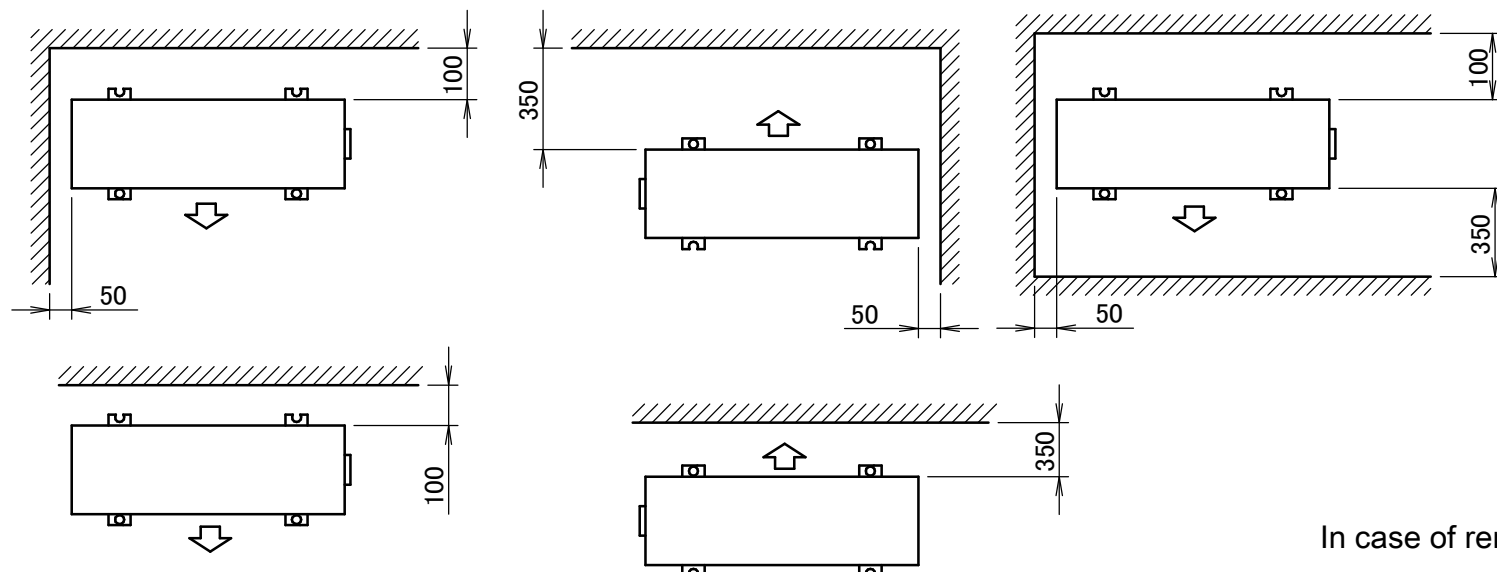
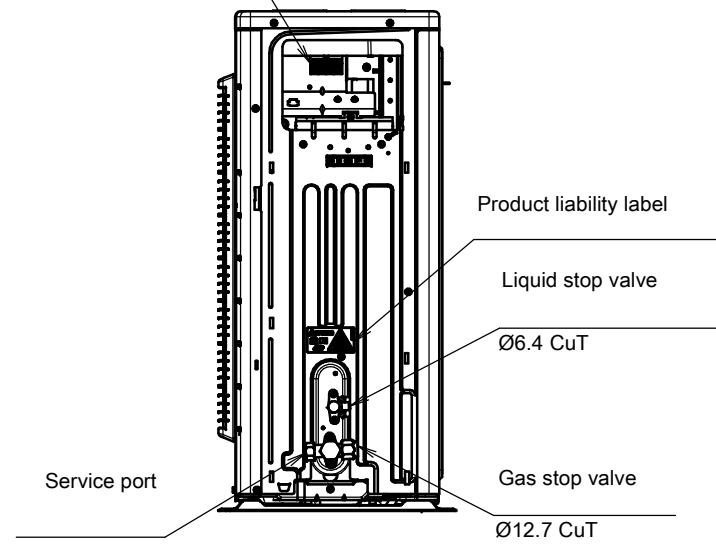


Minimum space for air passage

Wall height on air outlet side < 1200 mm



Terminal strip with earth terminal



In case of removing the stop valve cover.