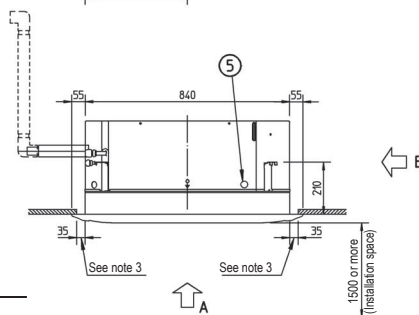
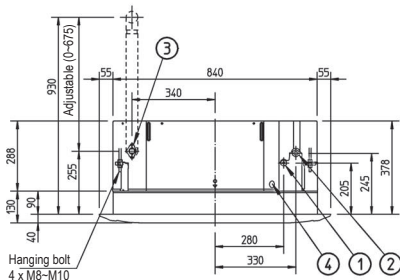
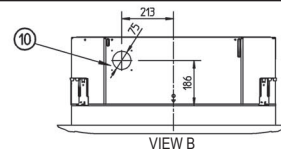
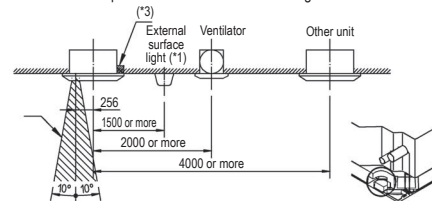


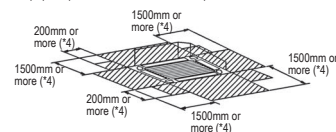
Nr	Name	Description
1	Liquid pipe connection	Ø9.52 flare connection
2	Gas pipe connection	Ø15.90 flare connection
3	Drain pipe connection	VP25 (O.D.Ø32, I.D. Ø25)
4	Power supply entry hole	
5	Transmission wiring entry hole	
6	Air discharge opening	
7	Air suction grille	
8	Corner decoration cover	
9	Drain hose	O.D.Ø32, I.D. Ø26
10	Knock out hole	



6. Please respect the distances as shown on figure below

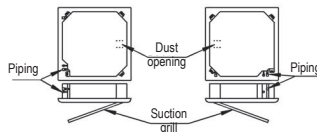


- (*1) Does not count for build in light
- (*2) Space needs to enter with vacuum-cleaner tube.
- (*3) Keep the exhaust of decoration panel free.



- (*4) In case a discharge opening is closed with the 'sealing member' option, the distance of 1500mm can be reduced to 500mm on the closed side.

5. Installation direction



NOTES

1. Location of the nameplates:
 - Unit body: on the control box.
 - Decoration panel: on the panel frame at the motor side under the corner cover
2. When installing an optional accessory, refer to the installation drawings.
 - For the fresh air intake kit an inspection part is necessary
3. Make sure the spacing between the ceiling and the cassette is no more than 35mm. Max. ceiling opening: 910mm
4. When the conditions exceed 30°C and RH 80% in de ceiling or fresh air is included into the ceiling, an additional insulation is required (polyethylene foam, thickness 10mm or more).