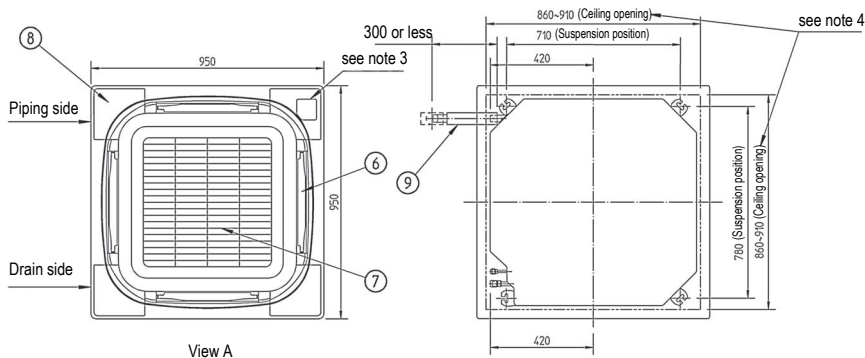
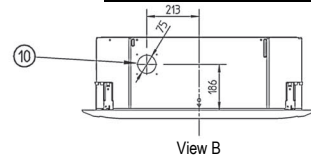


# FCQH100-140D8



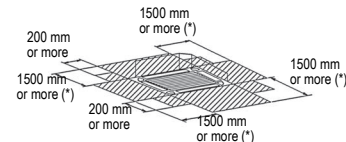
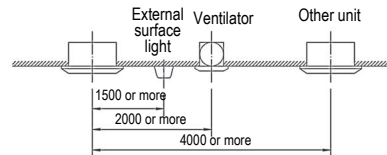
Item	Name	Remark
1	Liquid pipe connection	ø9.52 (Flare connection)
2	Gas pipe connection	ø15.90 (Flare connection)
3	Drain pipe connection	VP25 (ODø32, IDø25)
4	Power supply entry hole	
5	Transmission wiring entry hole	
6	Air discharge opening	
7	Air suction grille	
8	Corner decoration cover	
9	Drain hose	ODø32, IDø25
10	Knock out hole	



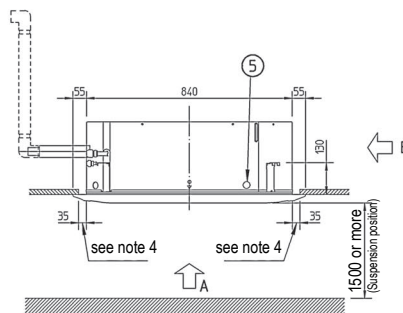
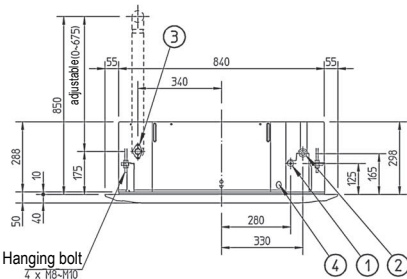
View A

View B

Please respect the distances as shown on figure below



(\*) In case a discharge opening is closed with the 'sealing member' option, the distance of 1500 mm can be reduced to 500 mm on the closed side.



## NOTE

- Location of the nameplates - Unit body: on the control box - Decoration panel: on the panel frame at the motor side under the corner cover
- When installing an optional accessory, refer to the installation drawings  
For the fresh air intake kit an inspection port is necessary
- In case of using a wireless remote control, this position will be a signal receiver. Refer to the drawing of the wireless remote control for more detail.
- Make sure the spacing between the ceiling and the cassette is no more than 35mm. Max ceiling opening: 910mm.
- When the conditions exceed 30°C and RH 80% in the ceiling or fresh air is inducted into the ceiling, an additional insulation is required (polyethylene foam, thickness 10mm or more).