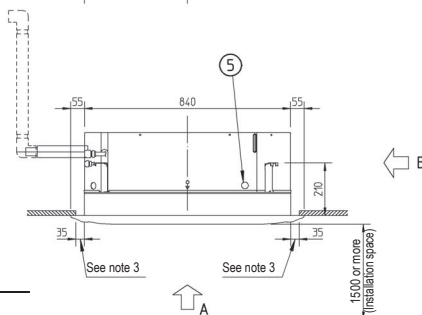
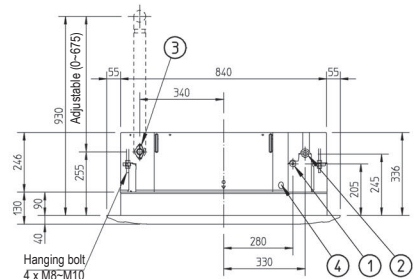
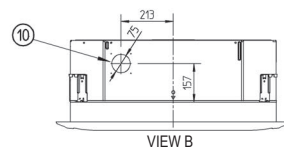
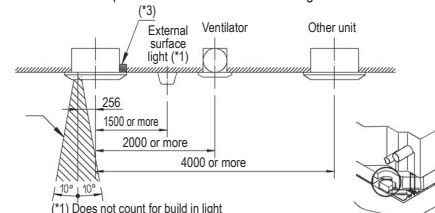


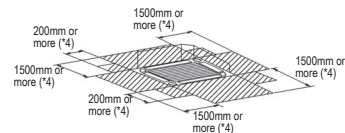
Nr	Name	Description
1	Liquid pipe connection	Ø9.5 flare connection
2	Gas pipe connection	Ø15.90 flare connection
3	Drain pipe connection	VP25 (O.D.Ø32, I.D. Ø25)
4	Power supply entry hole	
5	Transmission wiring entry hole	
6	Air discharge opening	
7	Air suction grille	
8	Corner decoration cover	
9	Drain hose	O.D.Ø32, I.D. Ø26
10	Knock out hole	



6. Please respect the distances as shown on figure below



- (*1) Does not count for build in light
- (*2) Space needed to enter with vacuum-cleaner tube.
- (*3) Keep the exhaust of decoration panel free.



(*4) In case a discharge opening is closed with the 'sealing member' option, the distance of 1500mm can be reduced to 500 mm on the closed side.

NOTES

1. Location of the nameplates:
 - Unit body: on the control box.
 - Decoration panel: on the panel frame at the motor side under the corner cover
2. When installing an optional accessory, refer to the installation drawings.
 - For the fresh air intake kit an inspection part is necessary
3. Make sure the spacing between the ceiling and the cassette is no more than 35mm. Max. ceiling opening: 910mm
4. When the conditions exceed 30°C and RH 80% in de ceiling or fresh air is included into the ceiling, an additional insulation is required (polyethylene foam, thickness 10mm or more).

5. Installation direction

