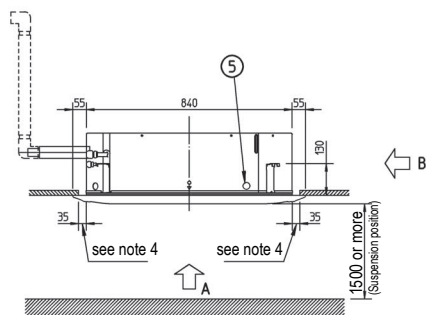
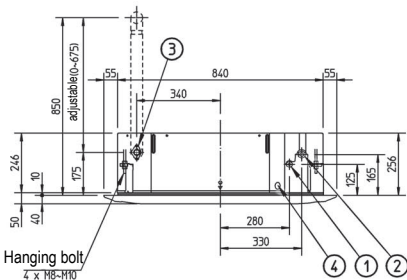
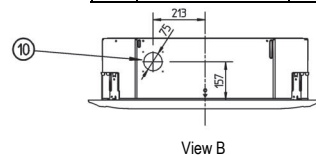
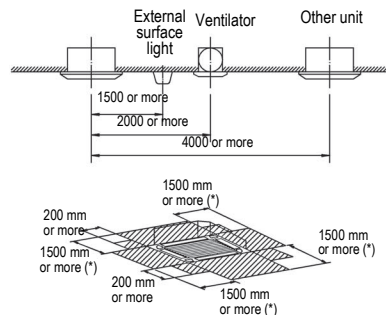


| Item | Name | Remark |
|------|--------------------------------|---------------------------|
| 1 | Liquid pipe connection | ø9.52 (Flare connection) |
| 2 | Gas pipe connection | ø15.90 (Flare connection) |
| 3 | Drain pipe connection | VP25 (ODø32, IDø25) |
| 4 | Power supply entry hole | |
| 5 | Transmission wiring entry hole | |
| 6 | Air discharge opening | |
| 7 | Air suction grille | |
| 8 | Corner decoration cover | |
| 9 | Drain hose | ODø32, IDø26 |
| 10 | Knock out hole | |



Please respect the distances as shown on figure below



NOTE

- 1 Location of the nameplates - Unit body: on the control box - Decoration panel: on the panel frame at the motor side under the corner cover
- 2 When installing an optional accessory, refer to the installation drawings
For the fresh air intake kit an inspection port is necessary
- 3 In case of using a wireless remote control, this position will be a signal receiver. Refer to the drawing of the wireless remote control for more detail.
- 4 Make sure the spacing between the ceiling and the cassette is no more than 35mm. Max ceiling opening: 910mm.
- 5 When the conditions exceed 30°C and RH 80% in the ceiling or fresh air is inducted into the ceiling, an additional insulation is required (polyethylene foam, thickness 10mm or more).

(*) In case a discharge opening is closed with the "sealing member" option, the distance of 1500 mm can be reduced to 500 mm on the closed side.