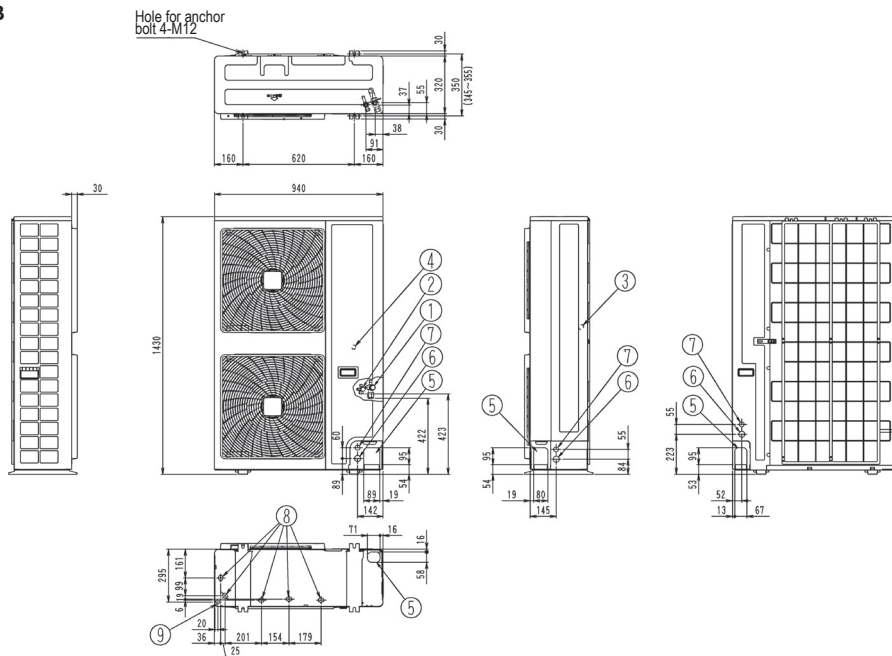


**RZQG100-140LV1B**


3D069553

Nr	Name	Description
1	Gas pipe connection	Ø 15.9 Flare
2	Liquid pipe connection	Ø 9.5 Flare
3	Service port	
4	Earth terminal	M5 (in control box)
5	Refrigerant piping intake	
6	Power supply wiring intake	Ø 34 knock hole
7	Wiring between unit intake	Ø 27 knock hole
8	Drain outlet	outside diameter Ø 26.5 portion
9	Drain port	Ø 22 knock hole