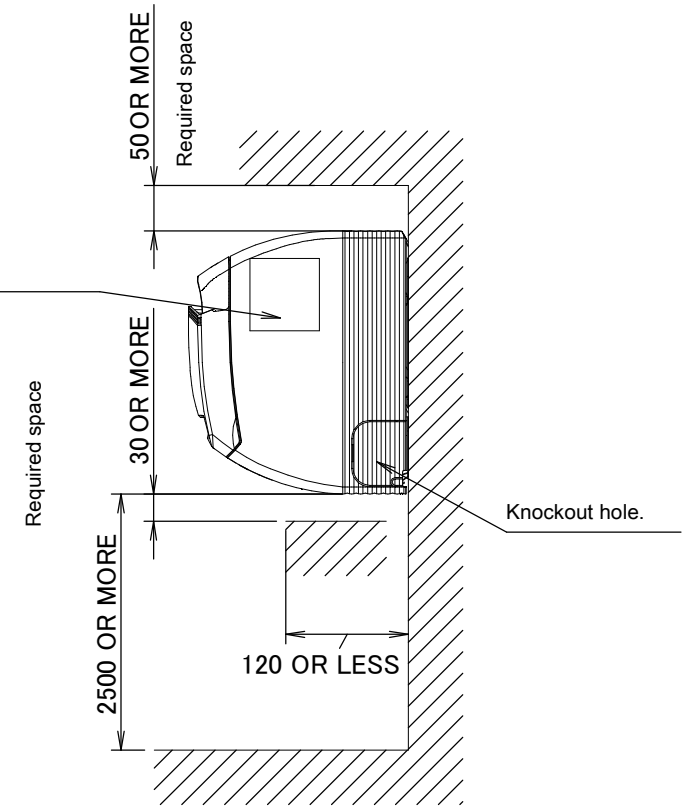
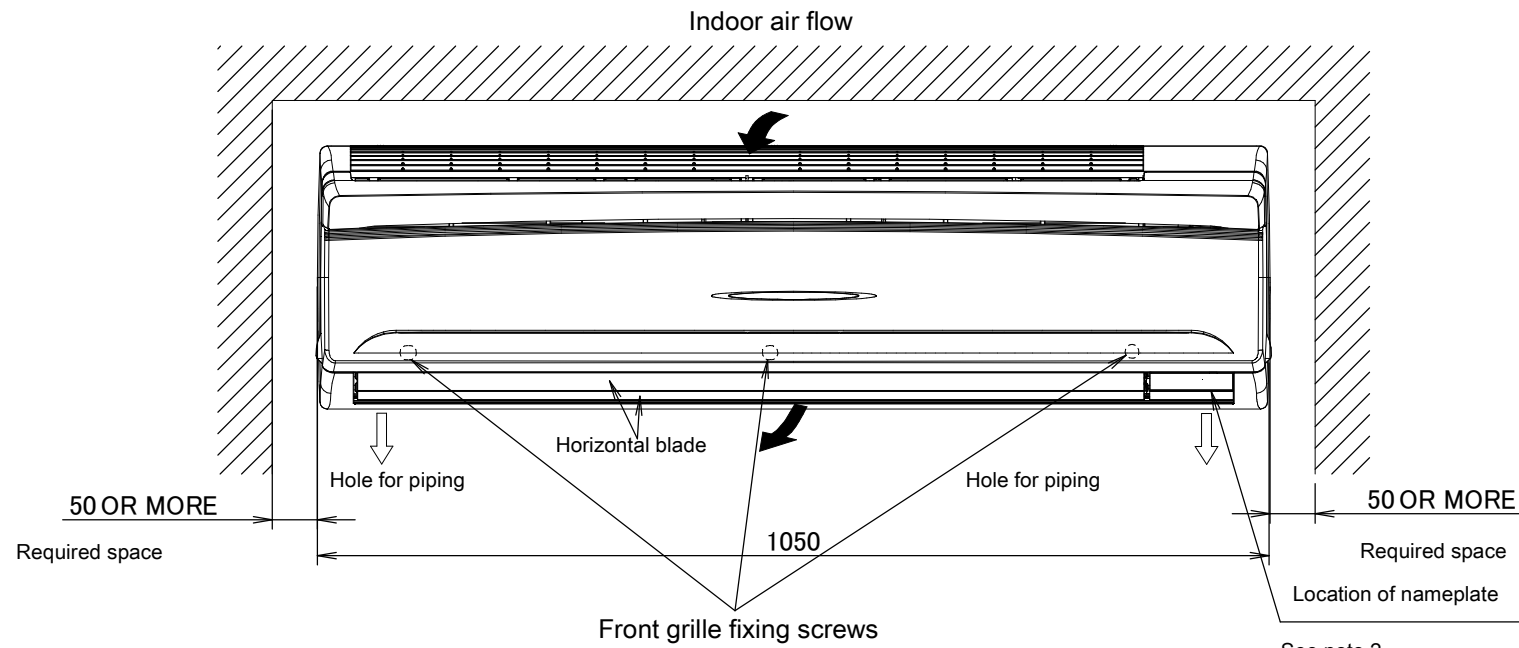
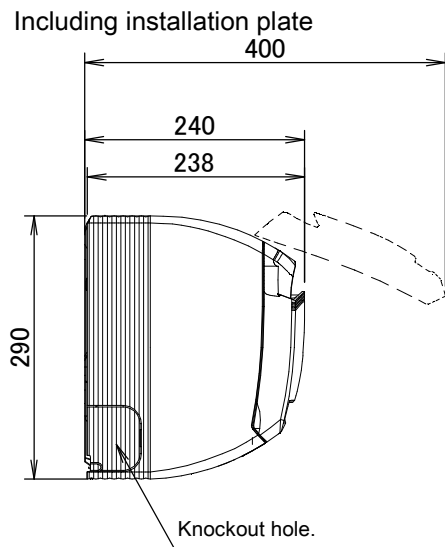
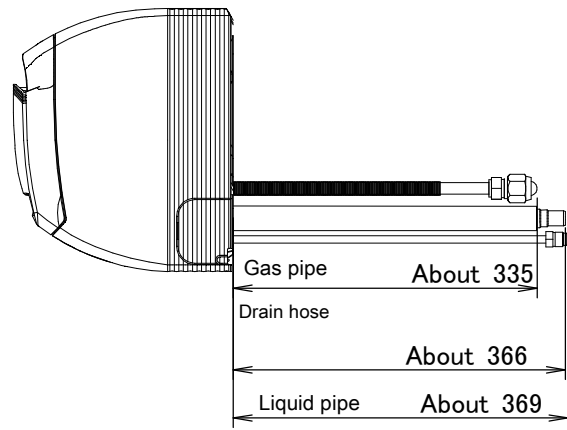
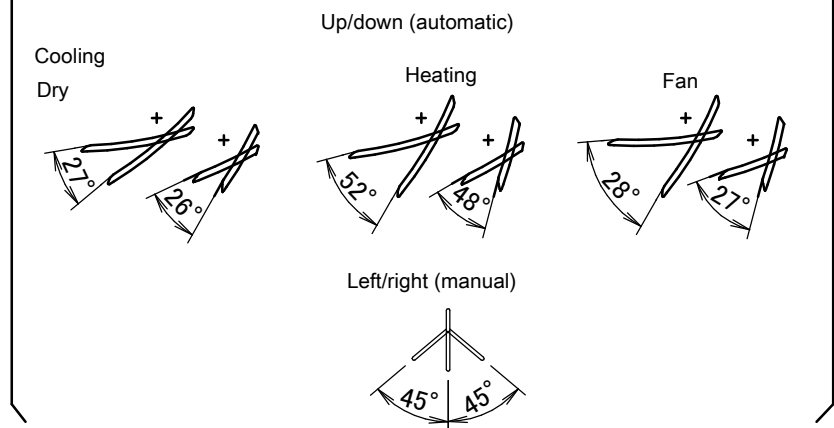


FAA71A



Blade angle

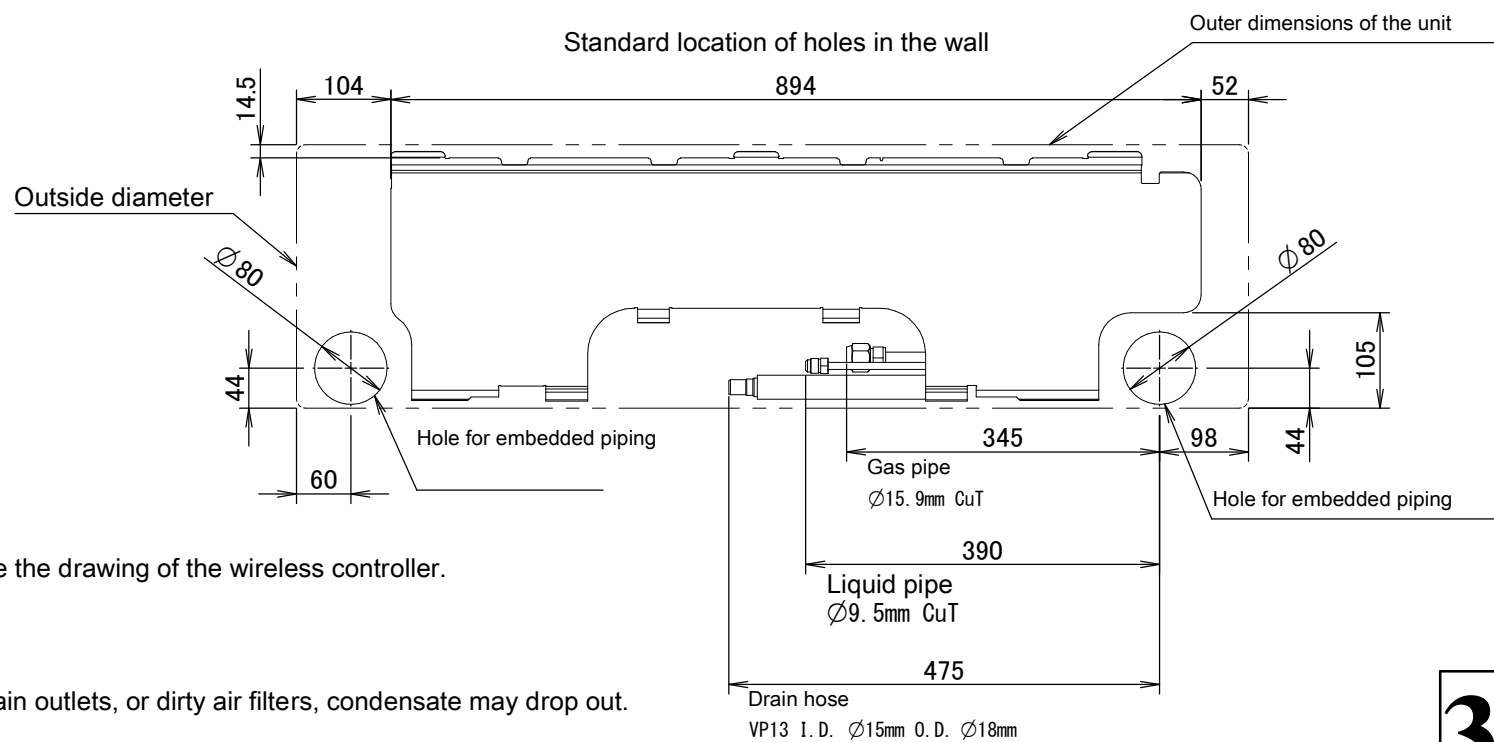


Notes

The mark shows the piping direction.

When installing a wireless controller, there will be a receiver on this location. For details, see the drawing of the wireless controller.

Do not place any objects under the indoor unit. In case of high humidity (>80%), clogged drain outlets, or dirty air filters, condensate may drop out.



3D106796