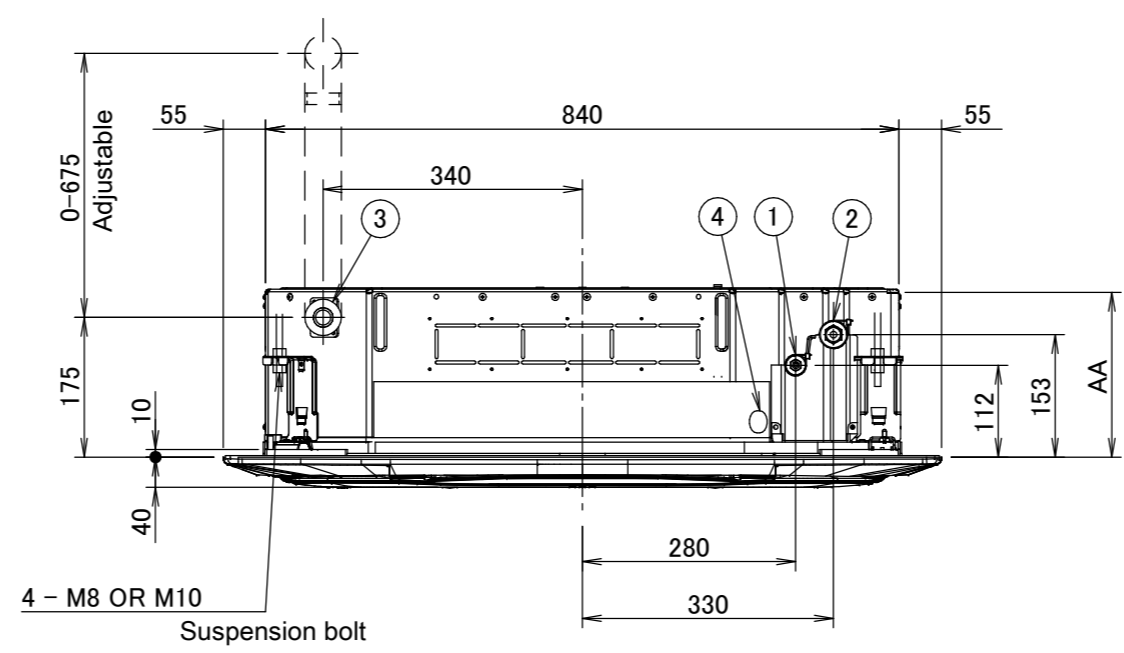
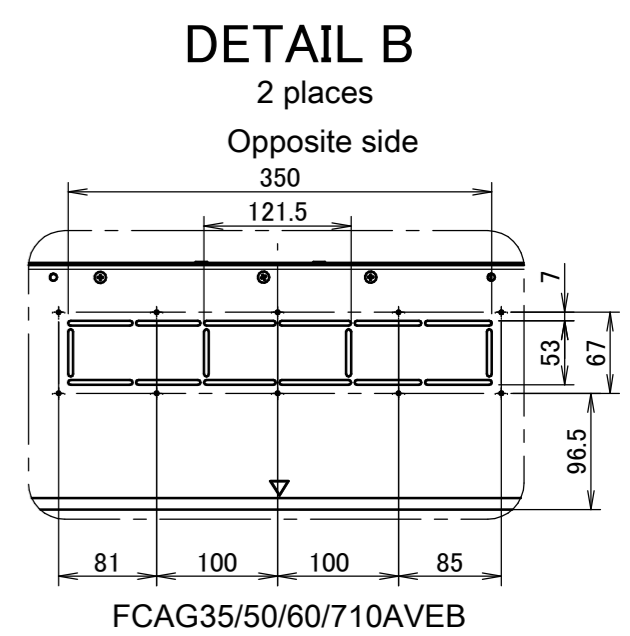
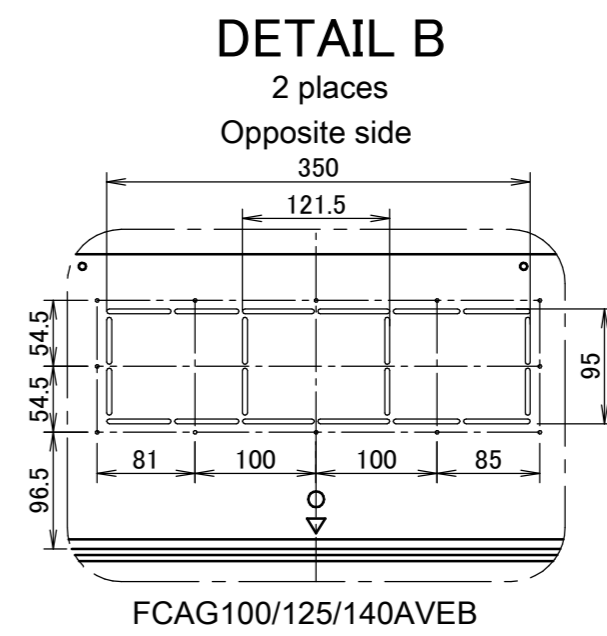
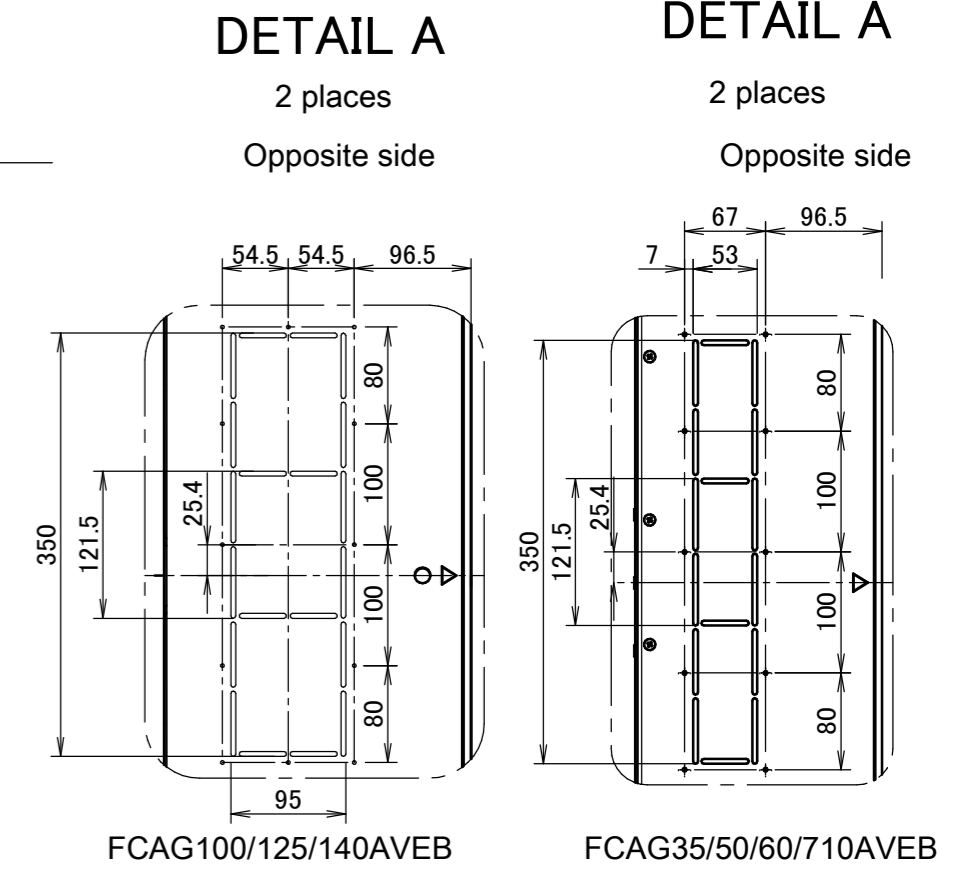
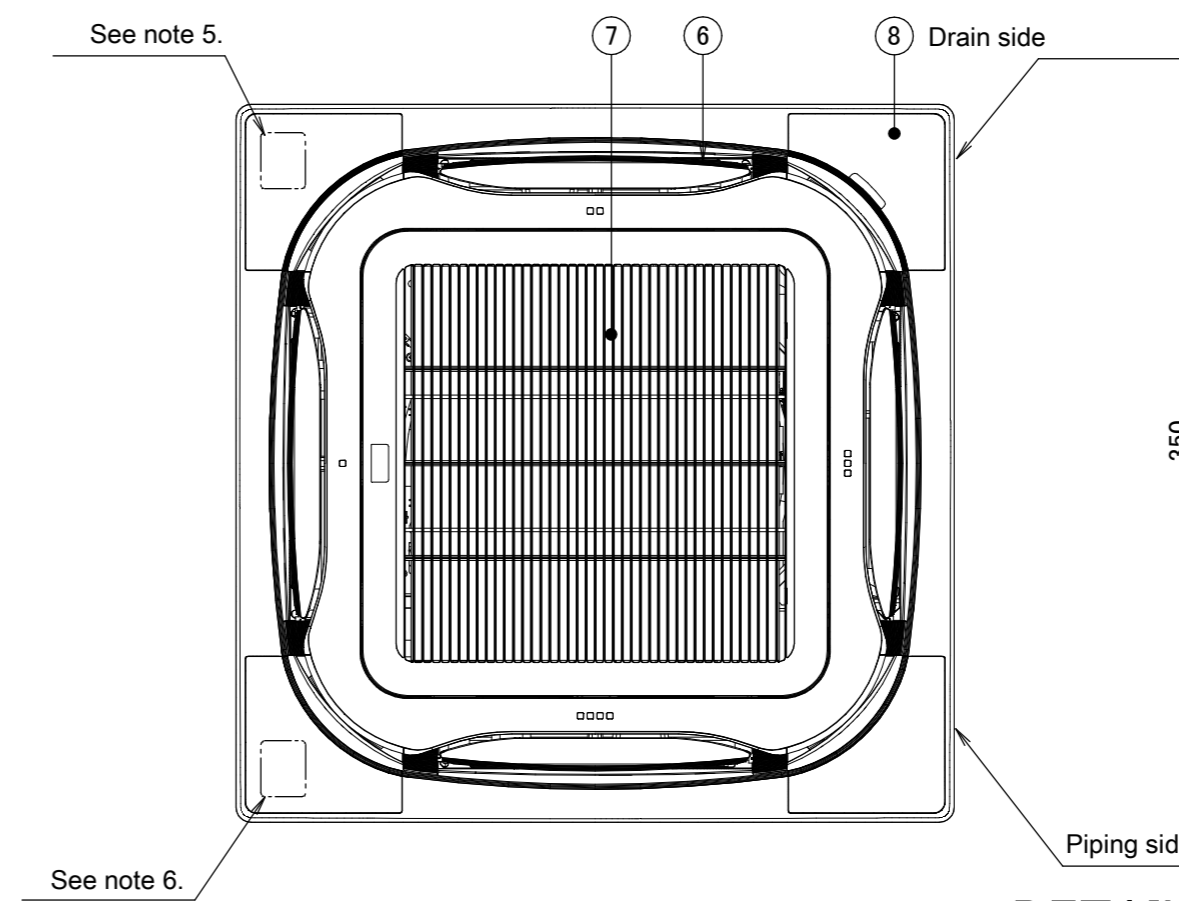
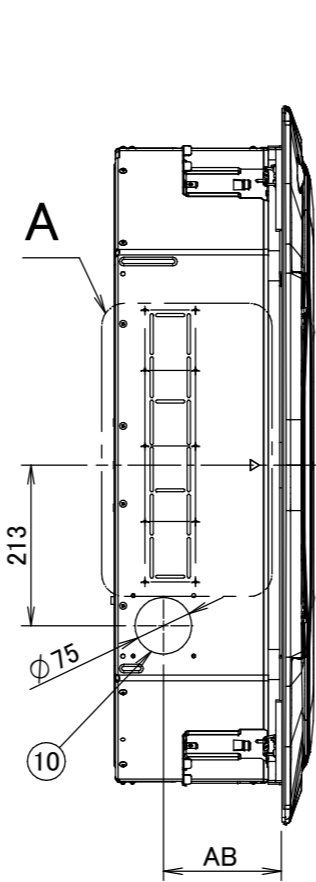
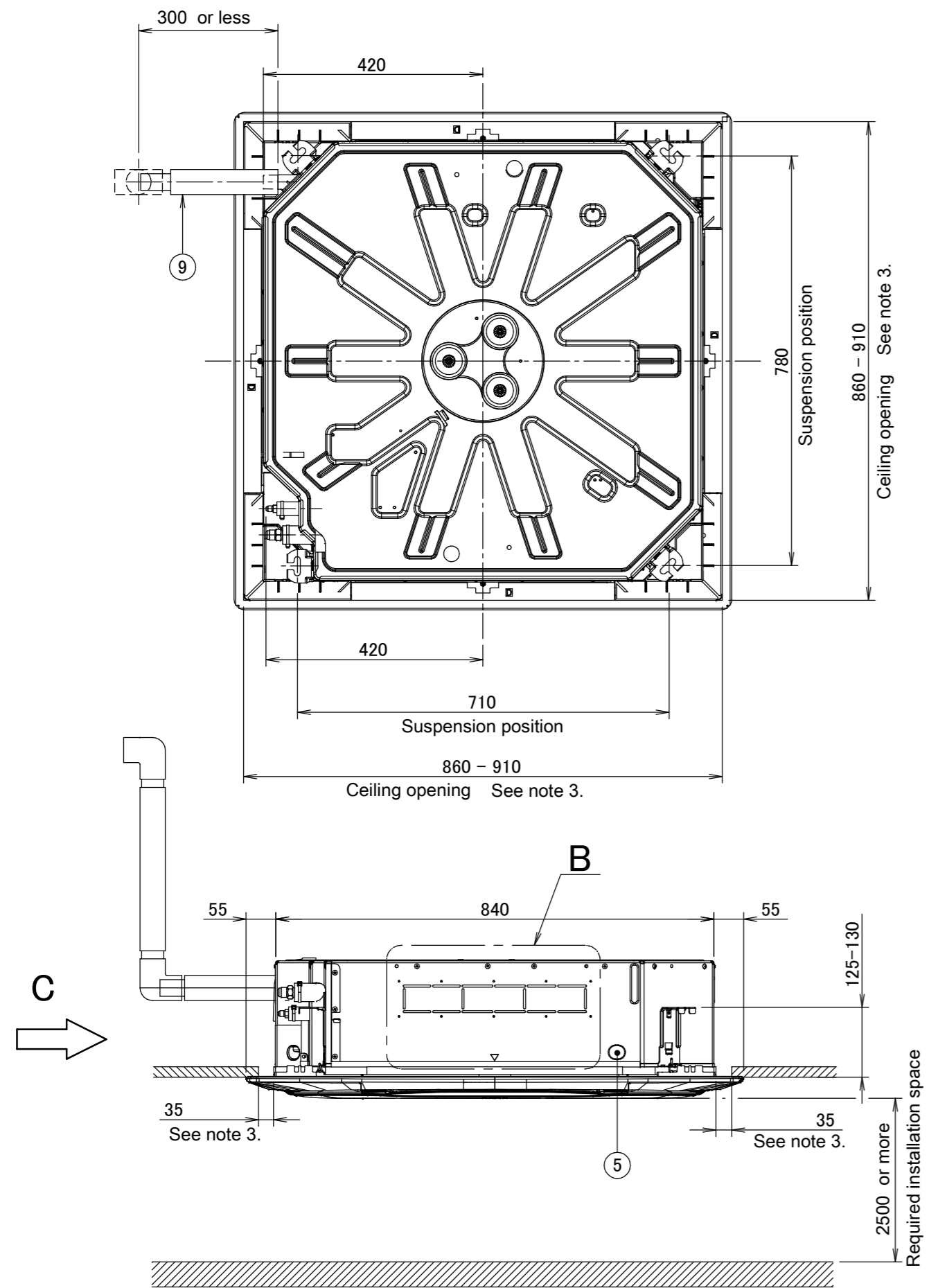


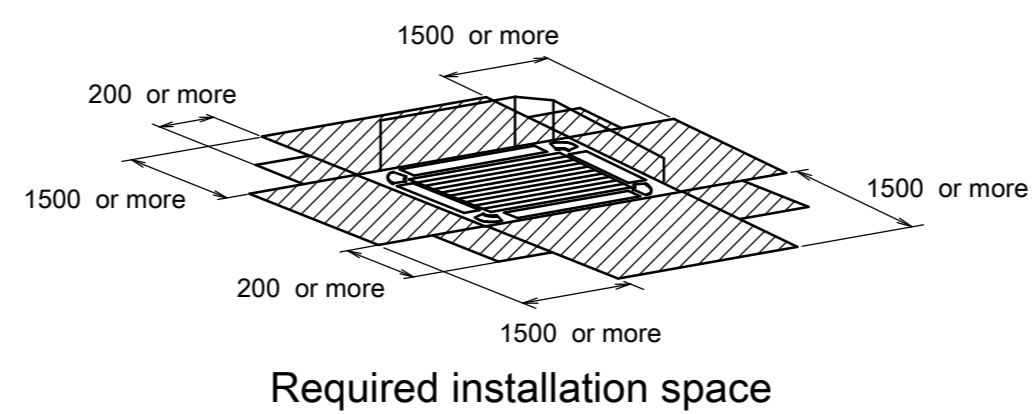
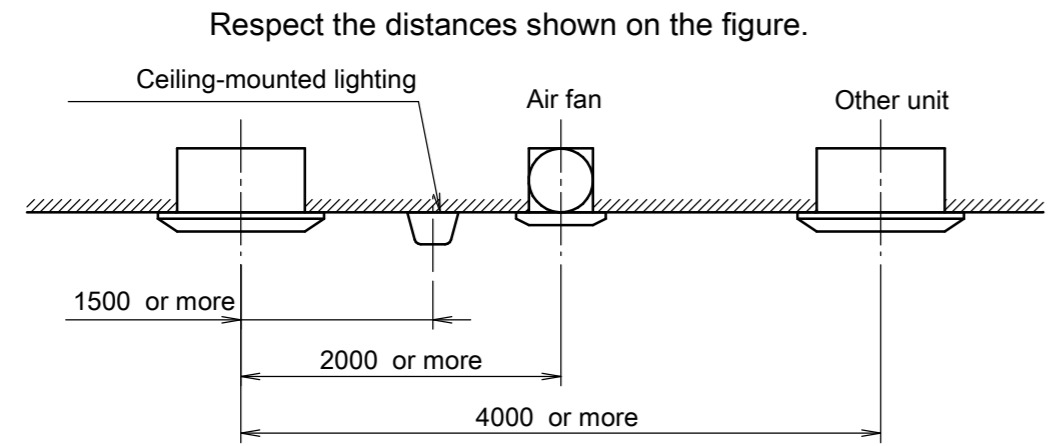
FCAG-A

Notes

- Location of nameplate
The unit nameplate is located on the control box cover.
The decoration panel nameplate is located on the piping-side panel frame, under the corner cover.
- When installing optional accessories, refer to their respective documentation.
- Make sure the distance between the ceiling and the cassette does not exceed 35mm.
- The maximum ceiling opening is 910mm.
- When the conditions in the ceiling exceed 30°C ambient temperature and 80% relative humidity, or when fresh air is inducted into the ceiling, additional insulation is required (polyethylene foam, thickness ≥10mm).
- When installing a sensor kit, there will be a sensor on this location. For details, see the drawing of the sensor kit.
- When installing a wireless controller, there will be a receiver on this location. For details, see the drawing of the wireless controller.



ARROW VIEW C



If a discharge outlet is closed up with the "sealing member" option kit, then the required installation space on that (closed up) side is 500mm instead of 1500mm.

- | Item | Name |
|------|---------------------------------|
| ① | Liquid pipe connection port |
| ② | Gas pipe connection port |
| ③ | Drain pipe connection |
| ④ | Power supply wiring intake |
| ⑤ | Transmission wiring intake hole |
| ⑥ | Air discharge outlet |
| ⑦ | Air suction grille |
| ⑧ | Corner decoration cover |
| ⑨ | Drain hose |
| ⑩ | Knockout hole. |