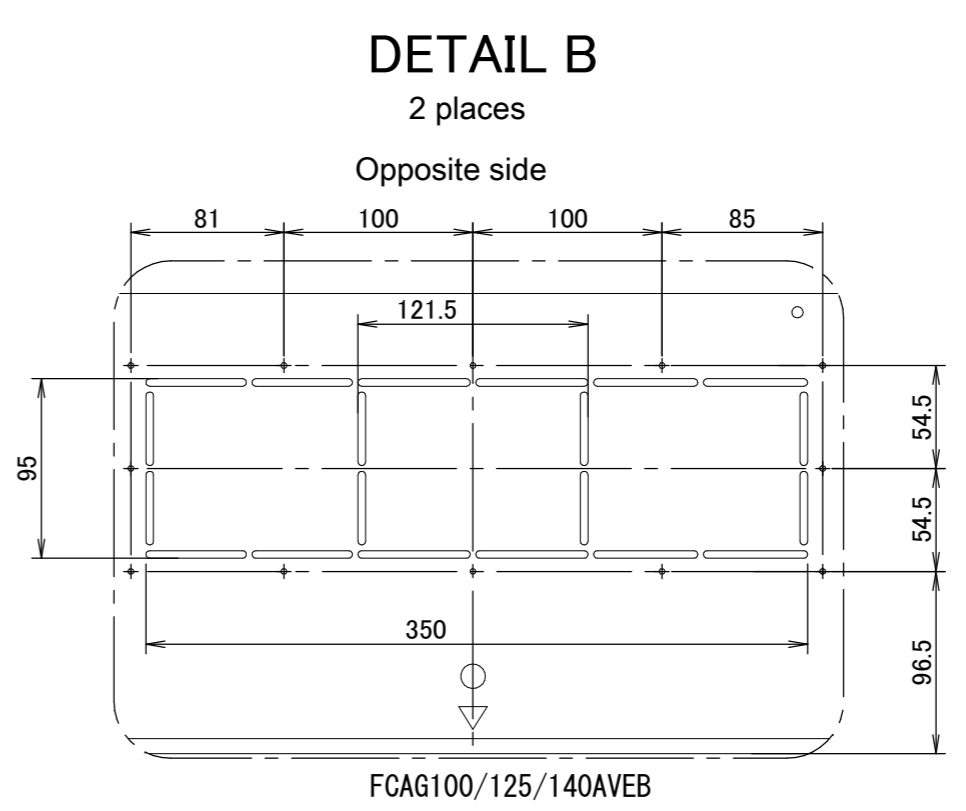
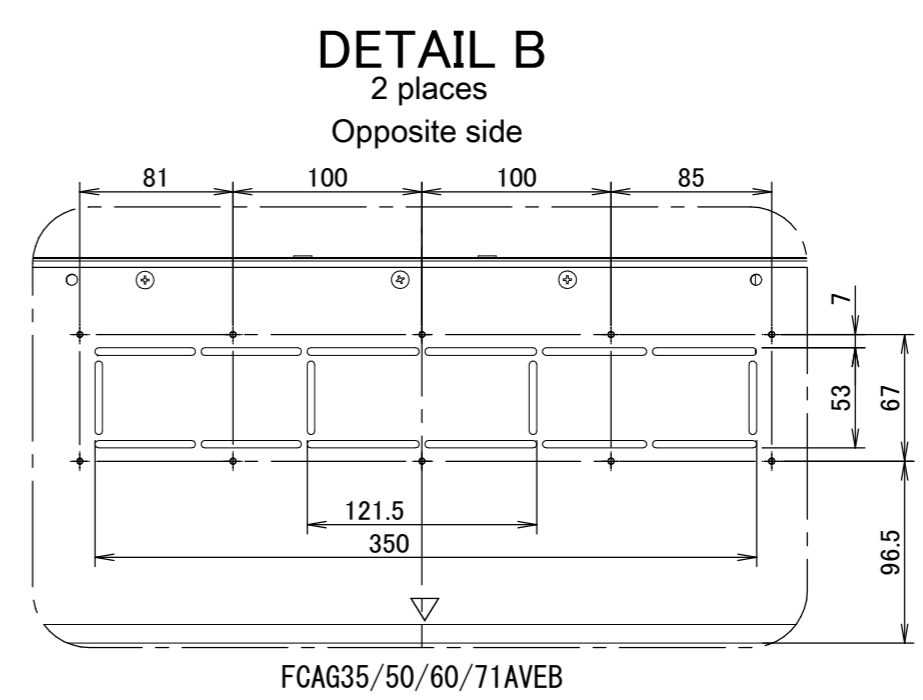
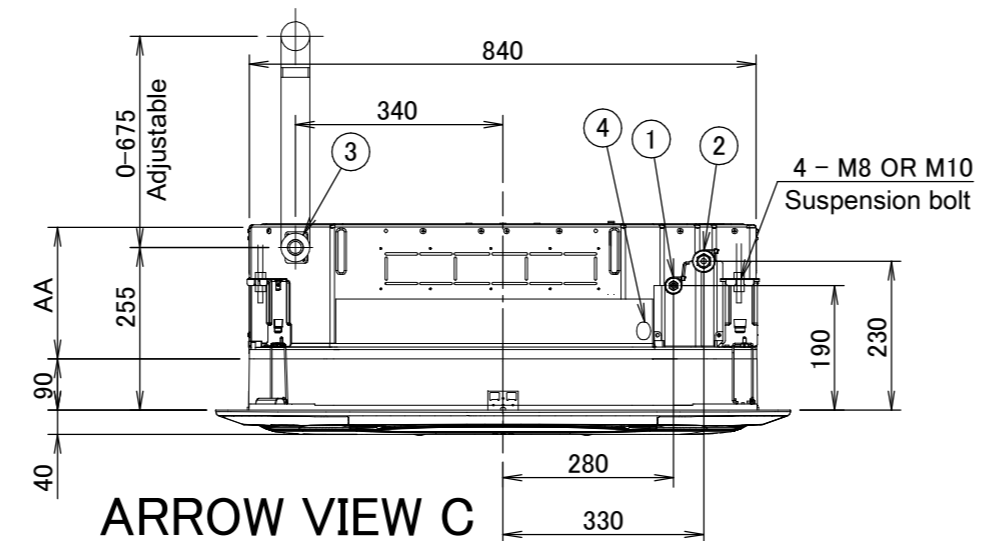
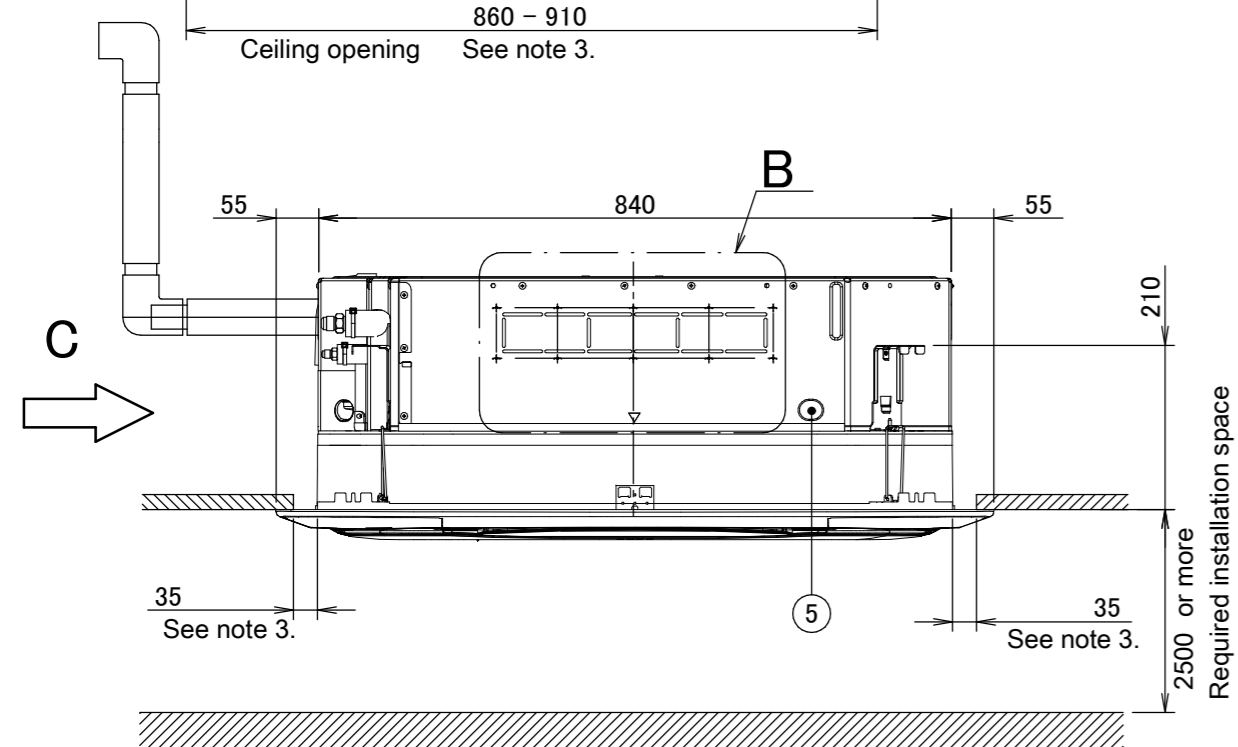
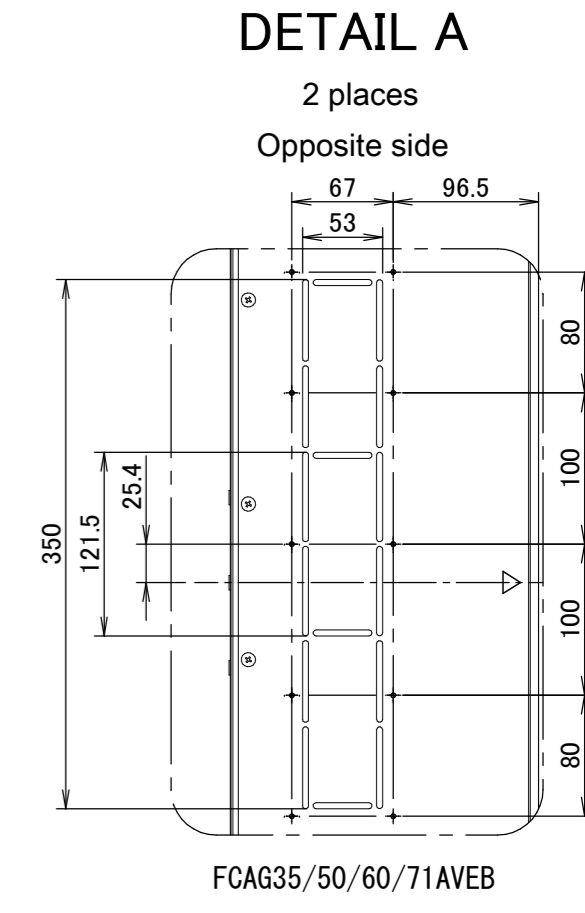
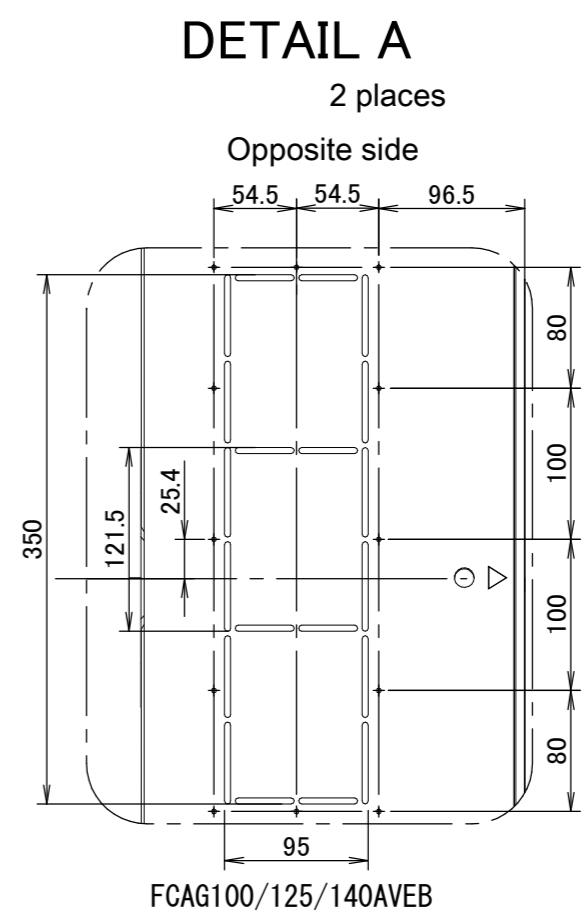
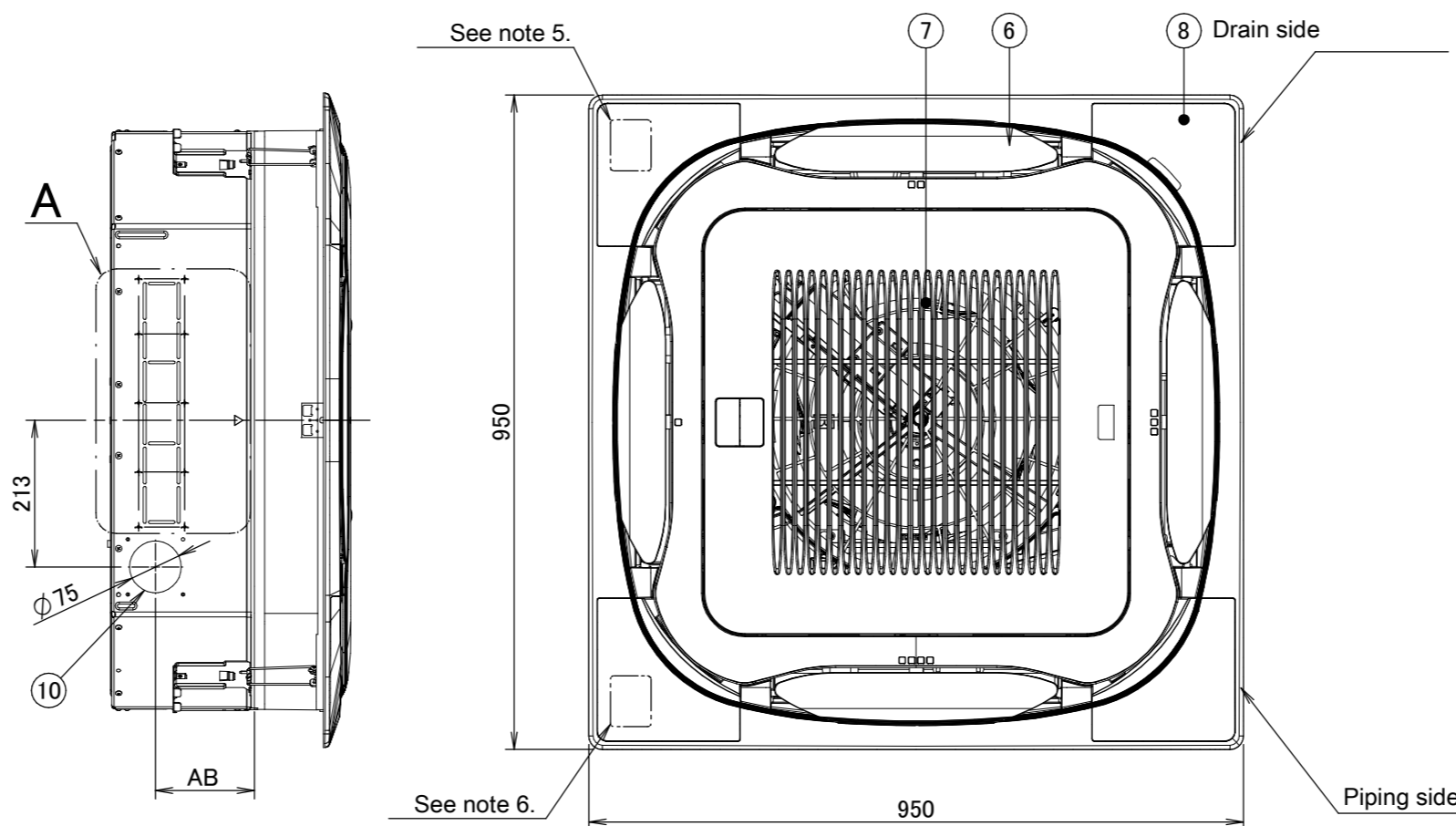
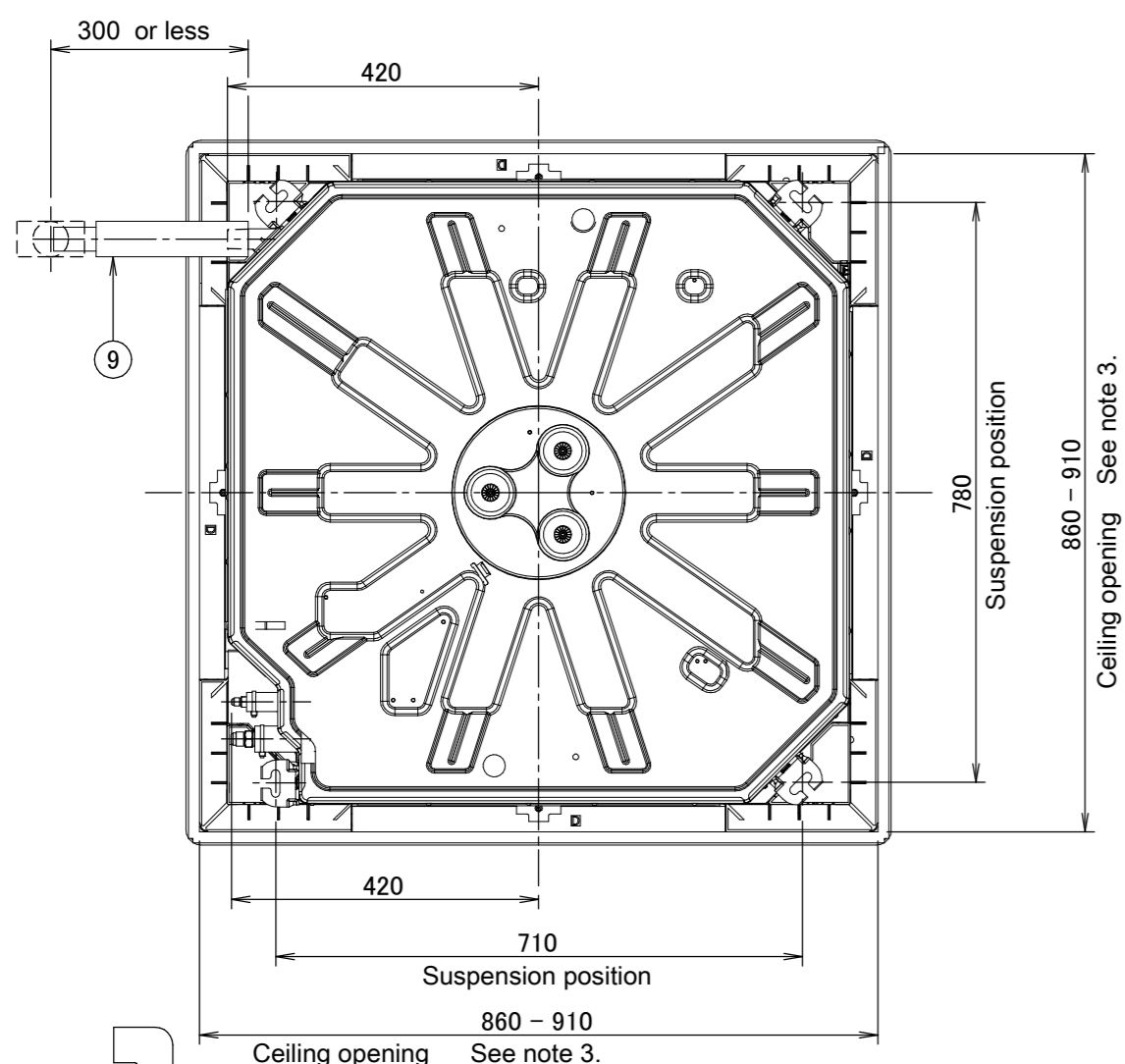


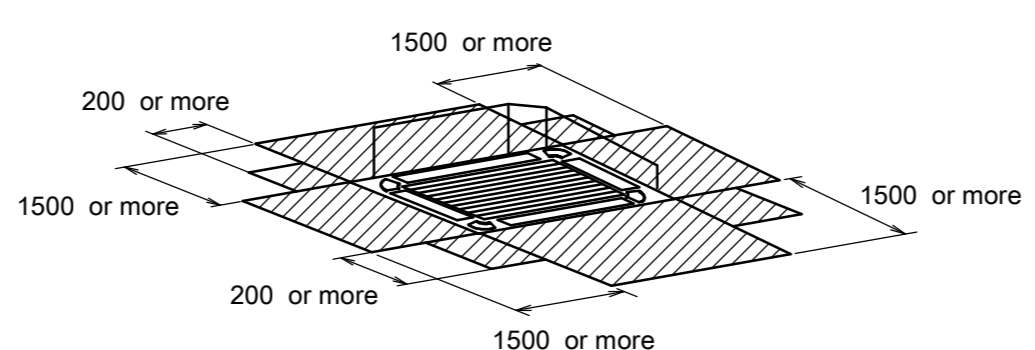
# FCAG-A

## Notes

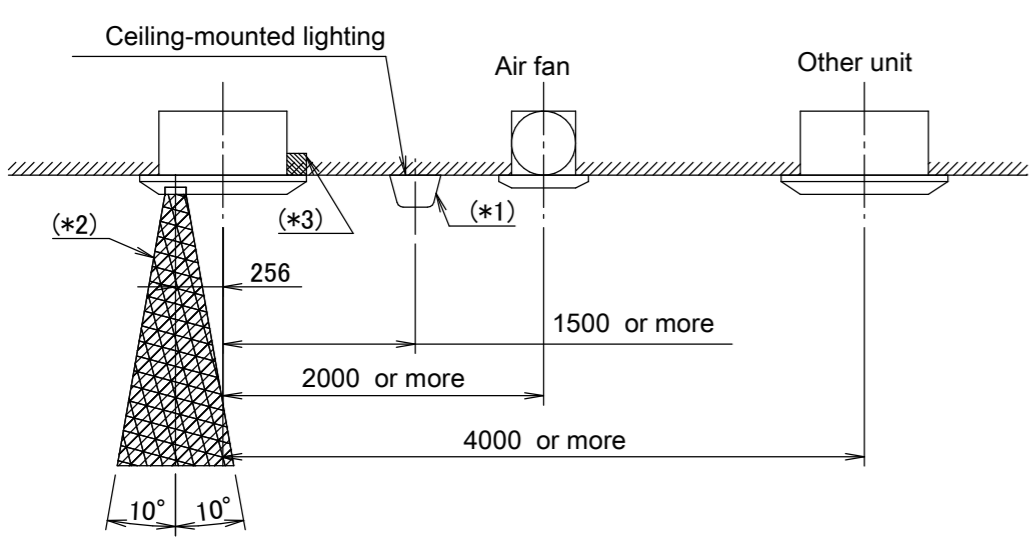
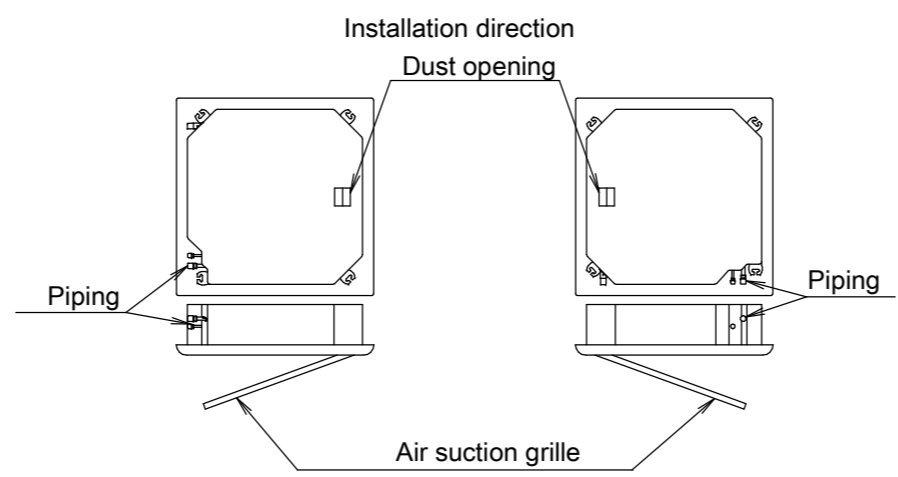
- Location of nameplate  
The unit nameplate is located on the control box cover.  
The decoration panel nameplate is located on the piping-side panel frame, under the corner cover.
- When installing optional accessories, refer to their respective documentation.
- Make sure the distance between the ceiling and the cassette does not exceed 35mm.
- The maximum ceiling opening is 910mm.
- When the conditions in the ceiling exceed 30°C ambient temperature and 80% relative humidity, or when fresh air is inducted into the ceiling, additional insulation is required (polyethylene foam, thickness ≥10mm).
- When installing a sensor kit, there will be a sensor on this location. For details, see the drawing of the sensor kit.
- When installing a wireless controller, there will be a receiver on this location. For details, see the drawing of the wireless controller.



- | Item | Name                            |
|------|---------------------------------|
| ①    | Liquid pipe connection port     |
| ②    | Gas pipe connection port        |
| ③    | Drain pipe connection           |
| ④    | Power supply wiring intake hole |
| ⑤    | Transmission wiring intake hole |
| ⑥    | Air discharge outlet            |
| ⑦    | Air suction grille              |
| ⑧    | Corner decoration cover         |
| ⑨    | Drain hose                      |
| ⑩    | Knockout hole.                  |



**Required installation space**  
If a discharge outlet is closed up with the "sealing member" option kit, then the required installation space on that (closed up) side is 500mm instead of 1500mm.



(\*1) Not applicable to recessed lighting.  
(\*2) Required space for entering with vacuum cleaner tube.  
(\*3) Make sure the decoration panel discharge outlet is not blocked.