

1. Location of nameplate

The unit nameplate is located on the control box cover.

The decoration panel nameplate is located on the piping-side panel frame, under the corner cover.

2. When installing optional accessories, refer to their respective documentation.

3. Make sure the distance between the ceiling and the cassette does not exceed 35-mm.

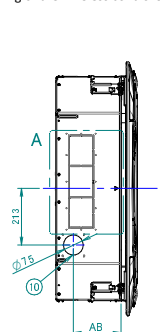
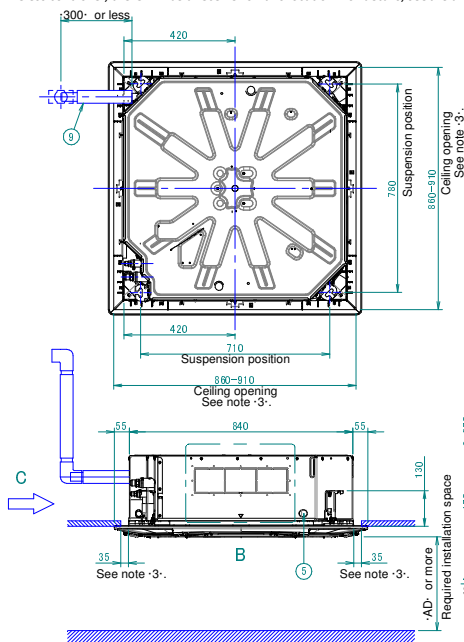
The maximum ceiling opening is 910-mm.

4. When the conditions in the ceiling exceed 30°C ambient temperature and 80% relative humidity, or when fresh air is inducted into the ceiling, additional insulation is required (polyethylene foam, thickness ≥10-mm).

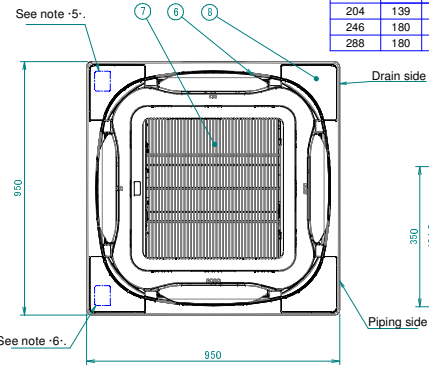
5. When installing a sensor kit, there will be a sensor on this location. For details, see the drawing of the sensor kit.

6. When installing a wireless controller, there will be a receiver on this location. For details, see the drawing of the wireless controller.

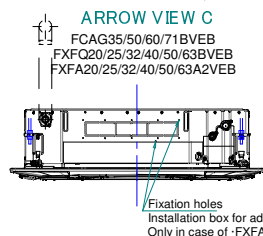
Cassette height		Minimal installation height	Required installation space	Model
AA	AB	AC	AD	
204	139	227	2700	FCAHG35/50/60/71BVEB
246	180	269	2700	FCAG100/125/140BVEB
288	180	311	2700	FCAHG71/100/125/140HVEB
204	139	227	2700	FXFQ20/25/32/40/50/63BVEB
246	180	269	2700	FXFQ80/100BVEB
288	180	311	2700	FXFQ125BVEB
204	139	227	2500	FXFA20/25/32/40/50/63A2VEB
246	180	269	2500	FXFA80/100A2VEB
288	180	311	2500	FXFA125A2VEB



ARROW VIEW C
FCAG100/125/140BVEB
FCAHG71/100/125/140HVEB
FXFQ80/100/125BVEB
FXFA80/100/125A2VEB

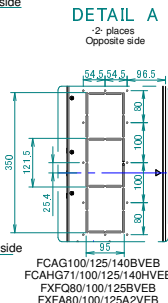


See note -5-
See note -6-

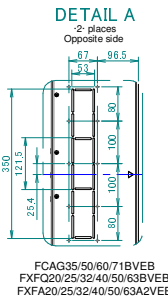


ARROW VIEW C
FCAG35/50/60/71BVEB
FXFQ20/25/32/40/50/63BVEB
FXFA20/25/32/40/50/63A2VEB

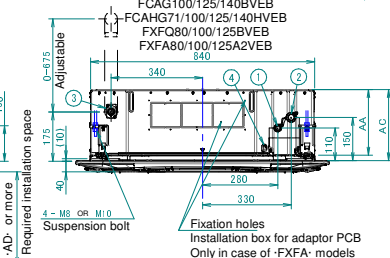
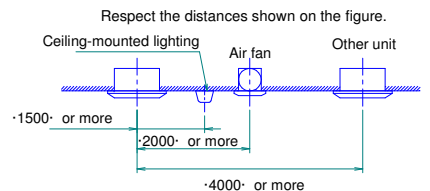
- Item Name
- ① Liquid pipe connection port
 - ② Gas pipe connection port
 - ③ Drain pipe connection
 - ④ Power supply wiring intake
 - ⑤ Transmission wiring intake hole
 - ⑥ Air discharge outlet
 - ⑦ Air suction grille
 - ⑧ Corner decoration cover
 - ⑨ Drain hose
 - ⑩ Knockout hole.



DETAIL A
-2- places
Opposite side

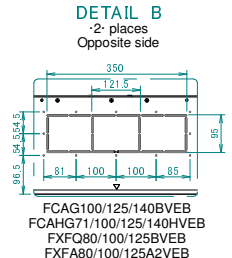


DETAIL A
-2- places
Opposite side

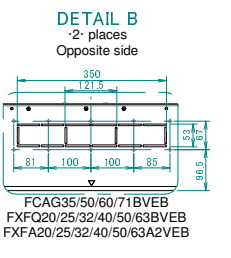


Required installation space
Installation box for adaptor PCB
Only in case of ·FXFA· models

If a discharge outlet is closed up with the "sealing member" option kit, then the required installation space on that (closed up) side is 500-mm instead of 1500-mm.



DETAIL B
-2- places
Opposite side



DETAIL B
-2- places
Opposite side