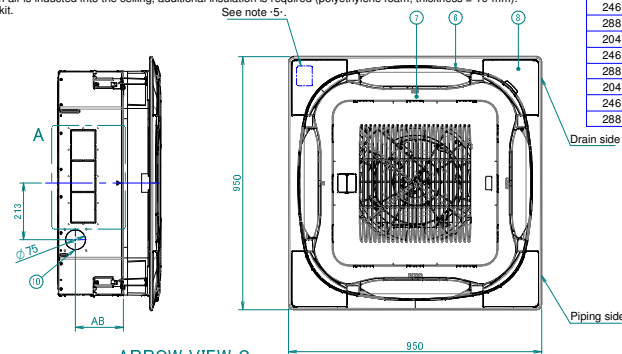
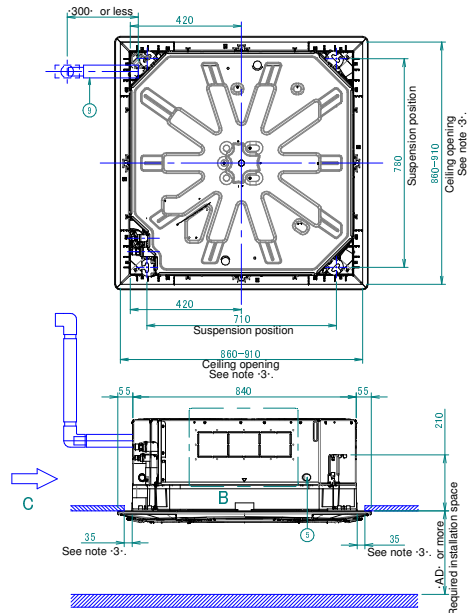


FCAG-B

Notes

- Location of nameplate
The unit nameplate is located on the control box cover.
The decoration panel nameplate is located on the piping-side panel frame, under the corner cover.
- When installing optional accessories, refer to their respective documentation.
- Make sure the distance between the ceiling and the cassette does not exceed 35-mm.
The maximum ceiling opening is 910-mm.
- When the conditions in the ceiling exceed 30°C ambient temperature and 80% relative humidity, or when fresh air is inducted into the ceiling, additional insulation is required (polyethylene foam, thickness ≥ 10-mm).
- When installing a sensor kit, there will be a sensor on this location. For details, see the drawing of the sensor kit.

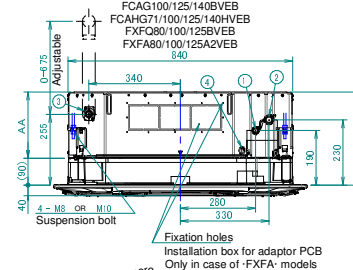


Cassette height		Minimal installation height		Required installation space		Model
AA	AB	AC	AD	AD	AD	Model
204	139	307	2700			FCAG35/50/60/71/BVEB
246	180	349	2700			FCAG100/125/140/BVEB
288	180	391	2700			FCAHG71/100/125/140/HVEB
204	139	307	2700			FXFQ20/25/32/40/50/63/BVEB
246	180	349	2700			FXF080/100/BVEB
288	180	391	2700			FXFQ125/BVEB
204	139	307	2500			FXFA20/25/32/40/50/63A2VEB
246	180	349	2500			FXFA80/100A2VEB
288	180	391	2500			FXFA125A2VEB

See note 5.

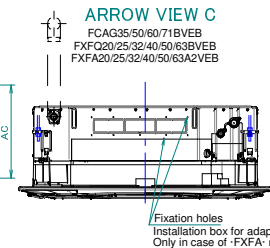
ARROW VIEW C

FCAG100/125/140/BVEB
FCAHG71/100/125/140/HVEB
FXF080/100/125/BVEB
FXFA80/100/125A2VEB



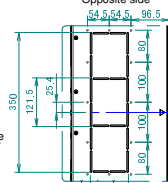
ARROW VIEW C

FCAG35/50/60/71/BVEB
FXFQ20/25/32/40/50/63/BVEB
FXFA20/25/32/40/50/63A2VEB



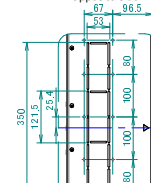
DETAIL A

2-places
Opposite side



DETAIL A

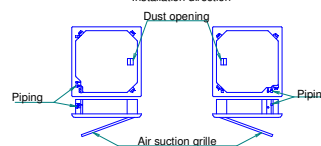
2-places
Opposite side



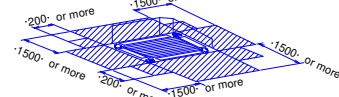
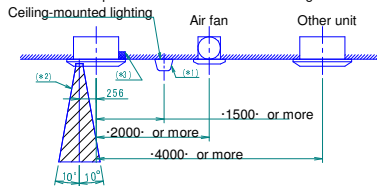
FCAG100/125/140/BVEB
FCAHG71/100/125/140/HVEB
FXF080/100/125/BVEB
FXFA80/100/125A2VEB

FCAG35/50/60/71/BVEB
FXFQ20/25/32/40/50/63/BVEB
FXFA20/25/32/40/50/63A2VEB

Installation direction



Respect the distances shown on the figure.

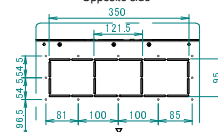


Required installation space

If a discharge outlet is closed up with the "sealing member" option kit, then the required installation space on that (closed up) side is 500-mm instead of 1500-mm.

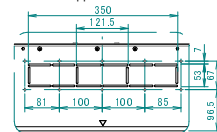
DETAIL B

2-places
Opposite side



DETAIL B

2-places
Opposite side



FCAG100/125/140/BVEB
FCAHG71/100/125/140/HVEB
FXF080/100/125/BVEB
FXFA80/100/125A2VEB

FCAG35/50/60/71/BVEB
FXFQ20/25/32/40/50/63/BVEB
FXFA20/25/32/40/50/63A2VEB

Item Name

- (1) Liquid pipe connection port
- (2) Gas pipe connection port
- (3) Drain pipe connection
- (4) Power supply wiring intake
- (5) Transmission wiring intake hole
- (6) Air discharge outlet
- (7) Air suction grille
- (8) Corner decoration cover
- (9) Drain hose
- (10) Knockout hole.

(*1) Not applicable to recessed lighting.

(*2) Required space for entering with vacuum cleaner tube.

(*3) Make sure the decoration panel discharge outlet is not blocked.