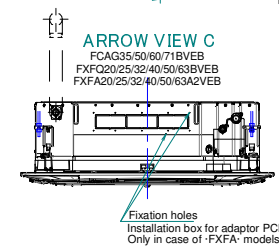
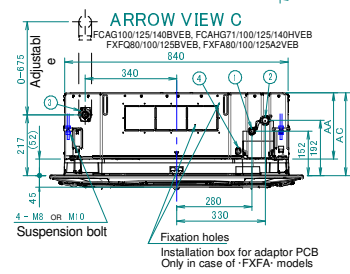
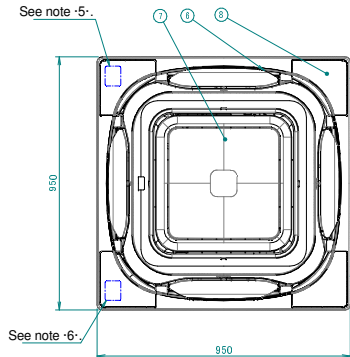
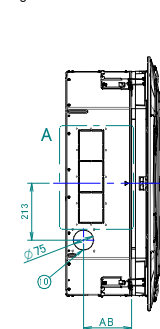
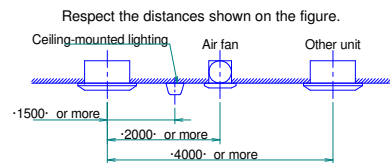
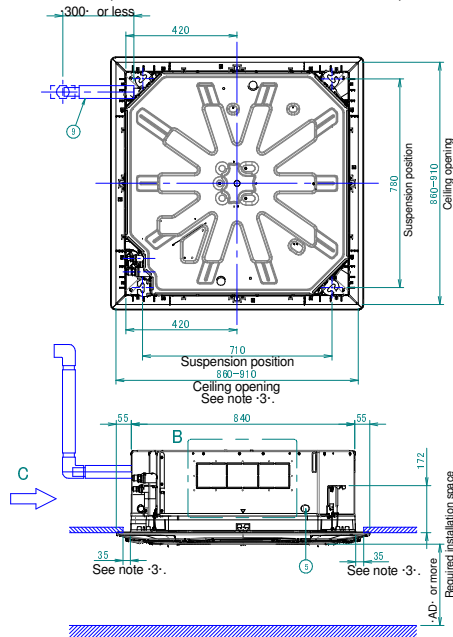


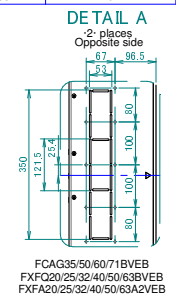
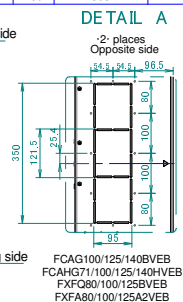
FCAG-B FCAHG-H

Notes

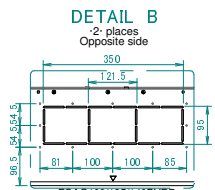
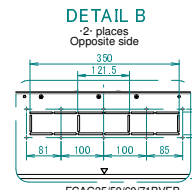
- Location of nameplate
The unit nameplate is located on the control box cover.
The decoration panel nameplate is located on the piping-side panel frame, under the corner cover.
- When installing optional accessories, refer to their respective documentation.
- Make sure the distance between the ceiling and the cassette does not exceed $\cdot 35$ -mm.
The maximum ceiling opening is $\cdot 910$ -mm.
- When the conditions in the ceiling exceed 30°C ambient temperature and 80% relative humidity, or when fresh air is inducted into the ceiling, additional insulation is required (polyethylene foam, thickness ≥ 10 -mm).
- When installing a sensor kit, there will be a sensor on this location. For details, see the drawing of the sensor kit.
- When installing a wireless controller, there will be a receiver on this location. For details, see the drawing of the wireless controller.



Cassette height		Minimal installation height		Required installation space		Model
AA	AB	AC	AD	AD	AD	
204	139	269	2700			FCAG35/50/60/71BVEB
246	180	311	2700			FCAG100/125/140BVEB
288	180	353	2700			FCAHG71/100/125/140HVEB
204	139	269	2700			FXFQ20/25/32/40/50/63BVEB
246	180	311	2700			FXFQ80/100BVEB
288	180	353	2700			FXFQ125BVEB
204	139	269	2500			FXFA20/25/32/40/50/63A2VEB
246	180	311	2500			FXFA80/100A2VEB
288	180	353	2500			FXFA125A2VEB



- | Item | Name |
|------|---------------------------------|
| ① | Liquid pipe connection port |
| ② | Gas pipe connection port |
| ③ | Drain pipe connection |
| ④ | Power supply wiring intake |
| ⑤ | Transmission wiring intake hole |
| ⑥ | Air discharge outlet |
| ⑦ | Flat grille assembly |
| ⑧ | Corner decoration cover |
| ⑨ | Drain hose |
| ⑩ | Knockout hole. |



Required installation space
If a discharge outlet is closed up with the "sealing member" option kit, then the required installation space on that (closed up) side is $\cdot 500$ -mm instead of $\cdot 1500$ -mm.