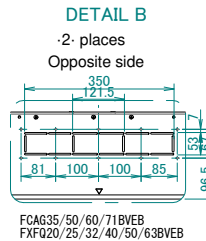
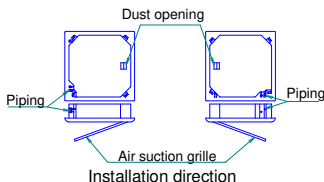
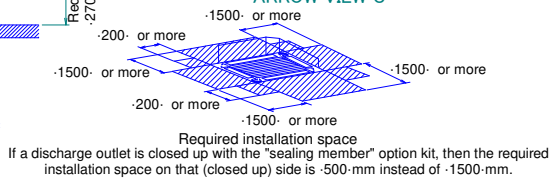
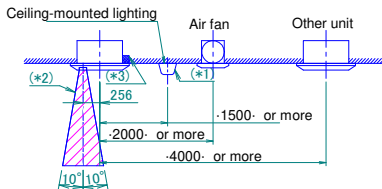
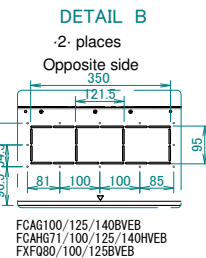
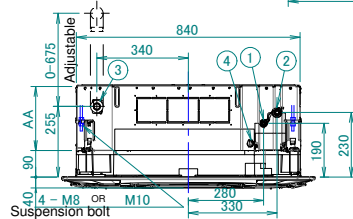
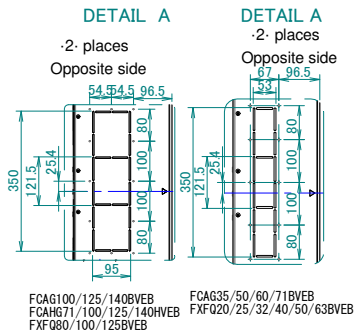
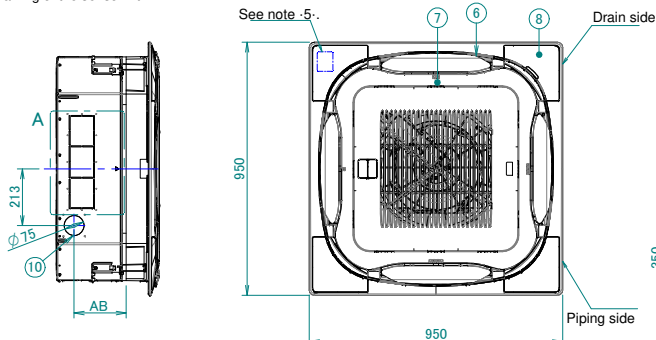
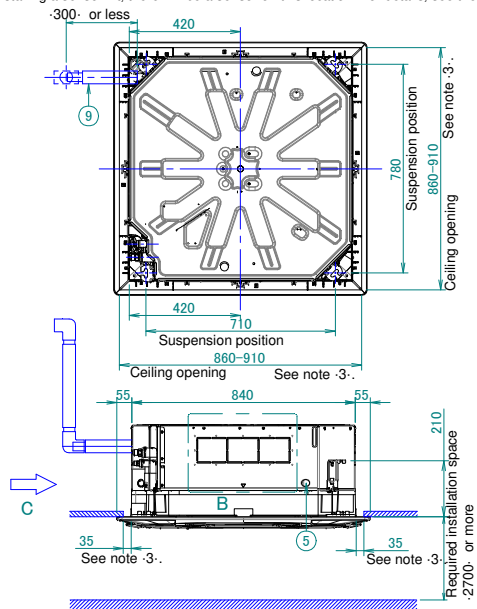


FCAG-B

Notes

- Location of nameplate
The unit nameplate is located on the control box cover.
The decoration panel nameplate is located on the piping-side panel frame, under the corner cover.
- When installing optional accessories, refer to their respective documentation.
- Make sure the distance between the ceiling and the cassette does not exceed 35-mm.
The maximum ceiling opening is 910-mm.
- When the conditions in the ceiling exceed 30°C ambient temperature and 80% relative humidity, or when fresh air is inducted into the ceiling, additional insulation is required (polyethylene foam, thickness ≥10-mm).
- When installing a sensor kit, there will be a sensor on this location. For details, see the drawing of the sensor kit.



Item	Name
①	Liquid pipe connection port
②	Gas pipe connection port
③	Drain pipe connection
④	Power supply wiring intake
⑤	Transmission wiring intake hole
⑥	Air discharge outlet
⑦	Air suction grille
⑧	Corner decoration cover
⑨	Drain hose
⑩	Knockout hole.

(*1) Not applicable to recessed lighting.
(*2) Required space for entering with vacuum cleaner tube.
(*3) Make sure the decoration panel discharge outlet is not blocked.