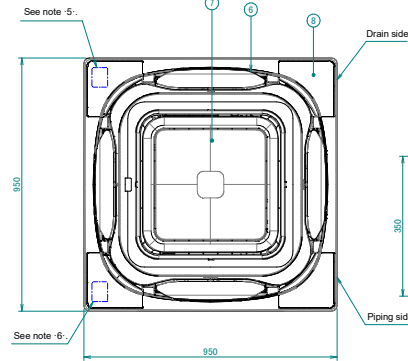
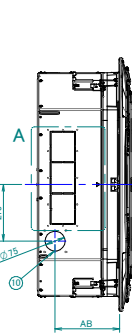
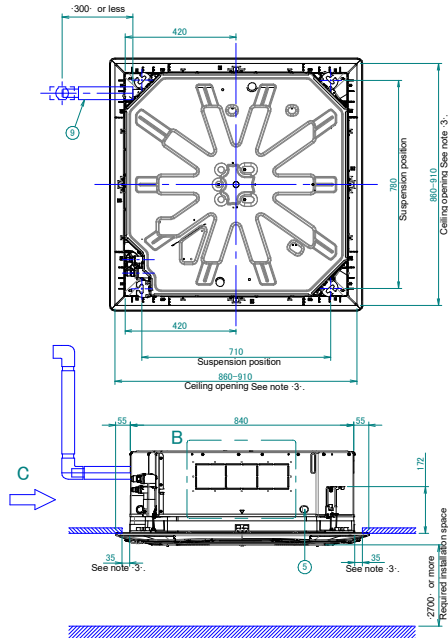


## Notes

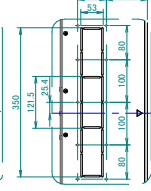
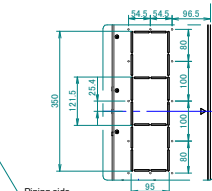
- Location of nameplate  
The unit nameplate is located on the control box cover.  
The decoration panel nameplate is located on the piping-side panel frame, under the corner cover.
- When installing optional accessories, refer to their respective documentation.
- Make sure the distance between the ceiling and the cassette does not exceed 35 mm.  
The maximum ceiling opening is 910 mm.
- When the conditions in the ceiling exceed 30°C ambient temperature and 80% relative humidity, or when fresh air is induced into the ceiling, additional insulation is required (polyethylene foam, thickness ≥ 10 mm).
- When installing a sensor kit, there will be a sensor on this location. For details, see the drawing of the sensor kit.
- When installing a wireless controller, there will be a receiver on this location. For details, see the drawing of the wireless controller.

| AA  | AB  | Model                     |
|-----|-----|---------------------------|
| 204 | 140 | FCAG35/50/60/71BVEB       |
| 246 | 180 | FCAG100/125/140BVEB       |
| 288 | 180 | FCAGH71/100/125/140HVEB   |
| 204 | 140 | FXFQ20/25/32/40/50/63BVEB |
| 246 | 180 | FXFQ80/100BVEB            |
| 288 | 180 | FXF0125BVEB               |



**DETAIL A**  
-2- places  
Opposite side

**DETAIL A**  
-2- places  
Opposite side

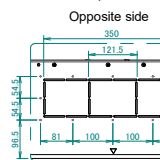
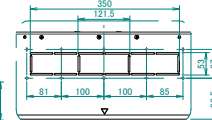


FCAG100/125/140BVEB  
FCAGH71/100/125/140HVEB  
FXFQ80/100/125BVEB

FCAG35/50/60/71BVEB  
FXFQ20/25/32/40/50/63BVEB

**DETAIL B**  
-2- places  
Opposite side

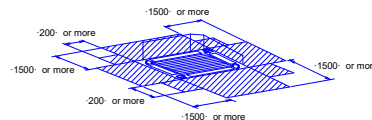
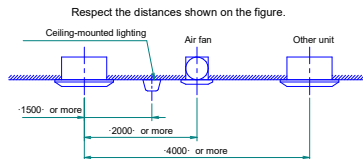
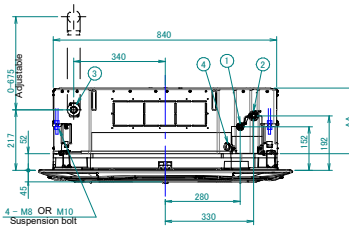
**DETAIL B**  
-2- places  
Opposite side



FCAG100/125/140BVEB  
FCAGH71/100/125/140HVEB  
FXFQ80/100/125BVEB

FCAG35/50/60/71BVEB  
FXFQ20/25/32/40/50/63BVEB

**ARROW VIEW C**



**Required installation space**

If a discharge outlet is closed up with the "sealing member" option kit, then the required installation space on that (closed up) side is 500 mm instead of 1500 mm.

## Item Name

- Liquid pipe connection port
- Gas pipe connection port
- Drain pipe connection
- Power supply wiring intake
- Transmission wiring intake hole
- Air discharge outlet
- Flat grille assembly
- Corner decoration cover
- Drain hose
- Knockout hole.