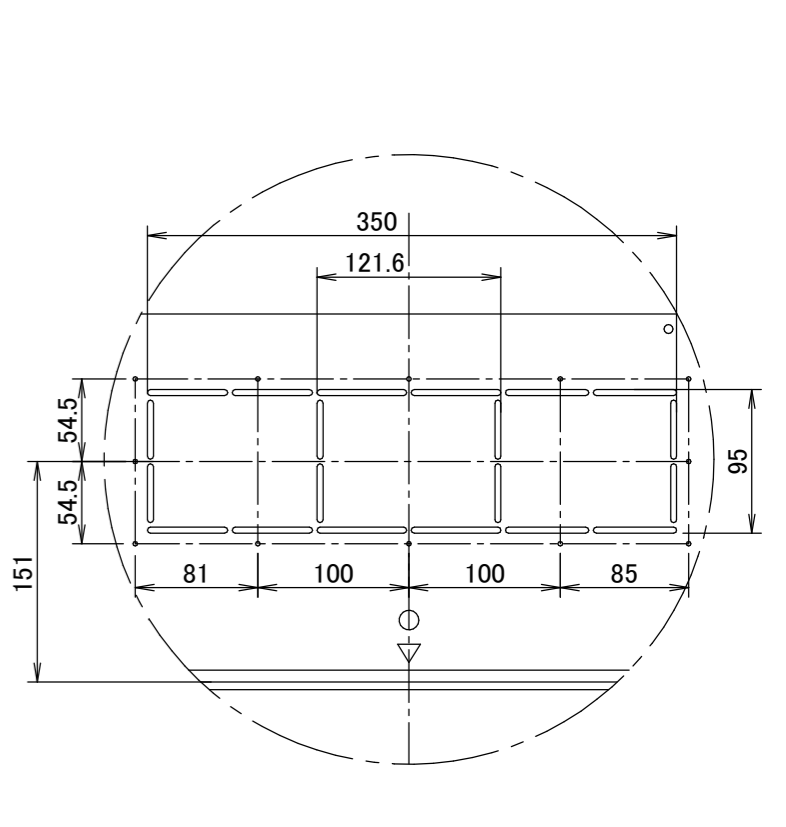
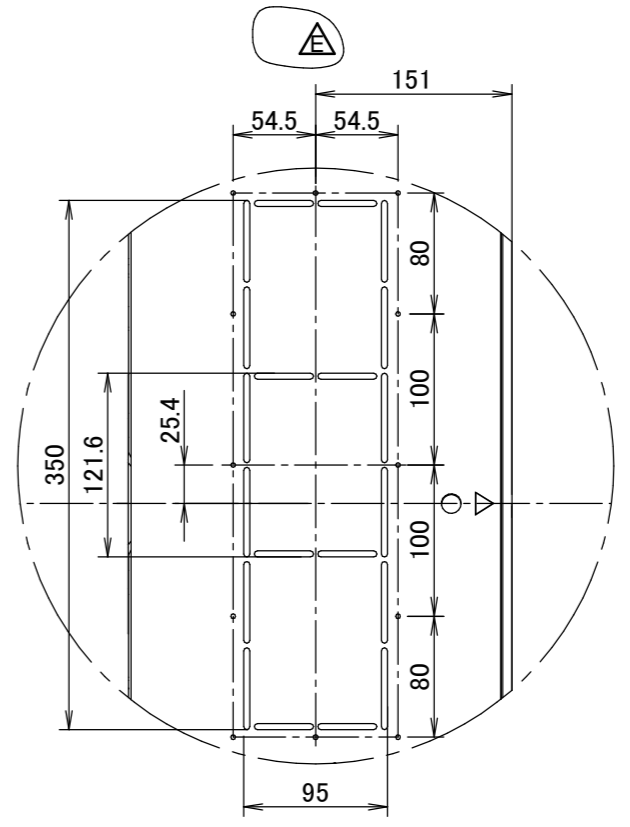
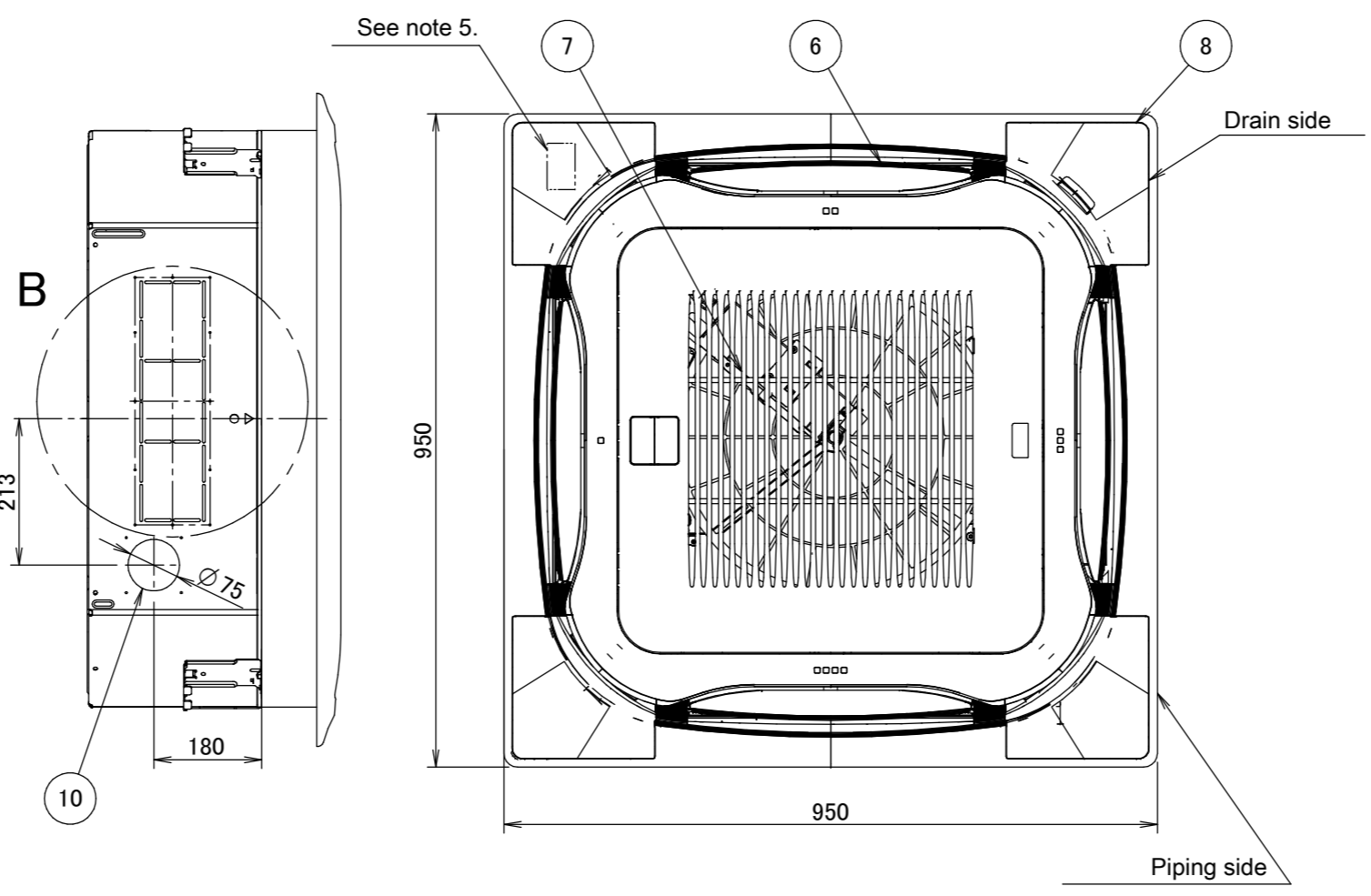
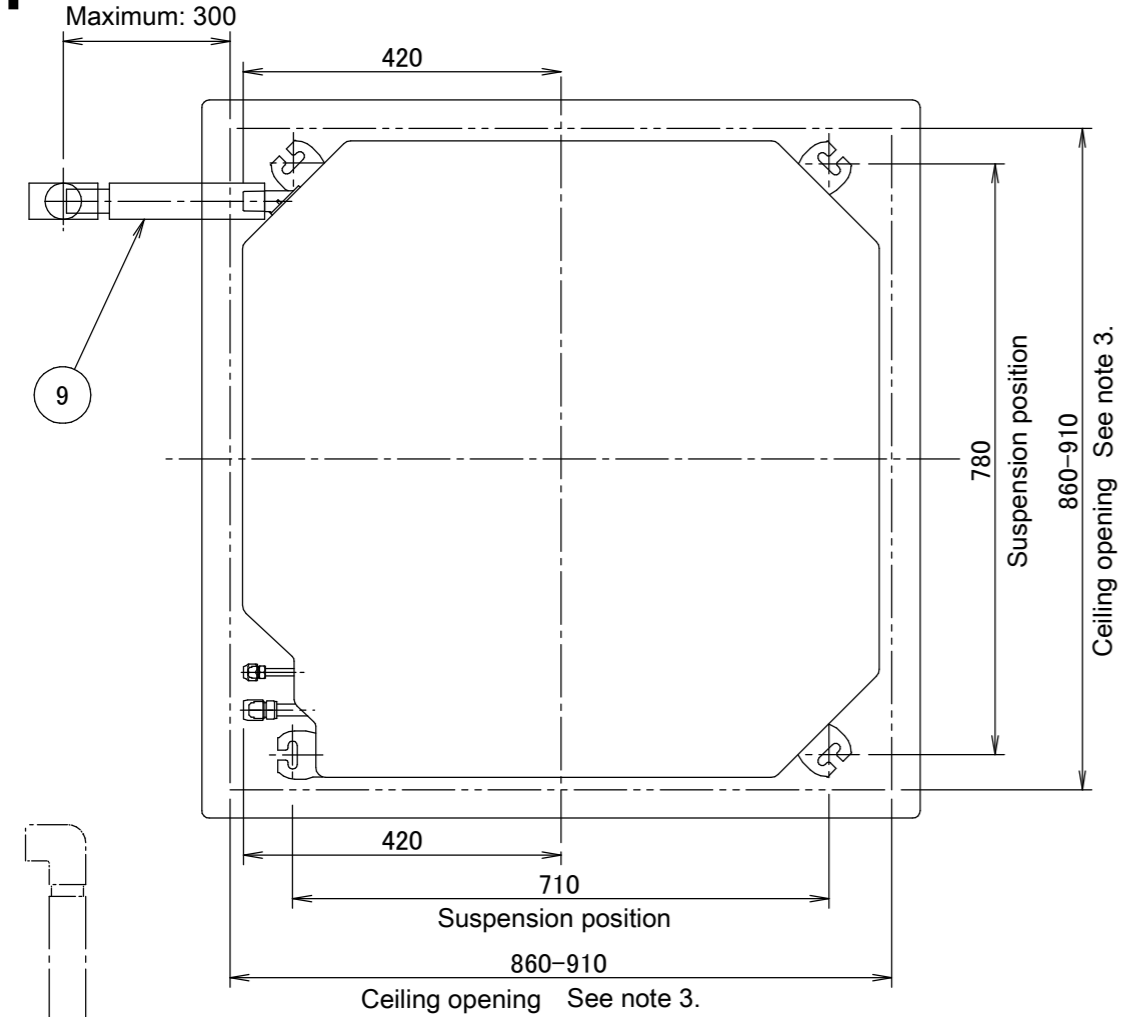
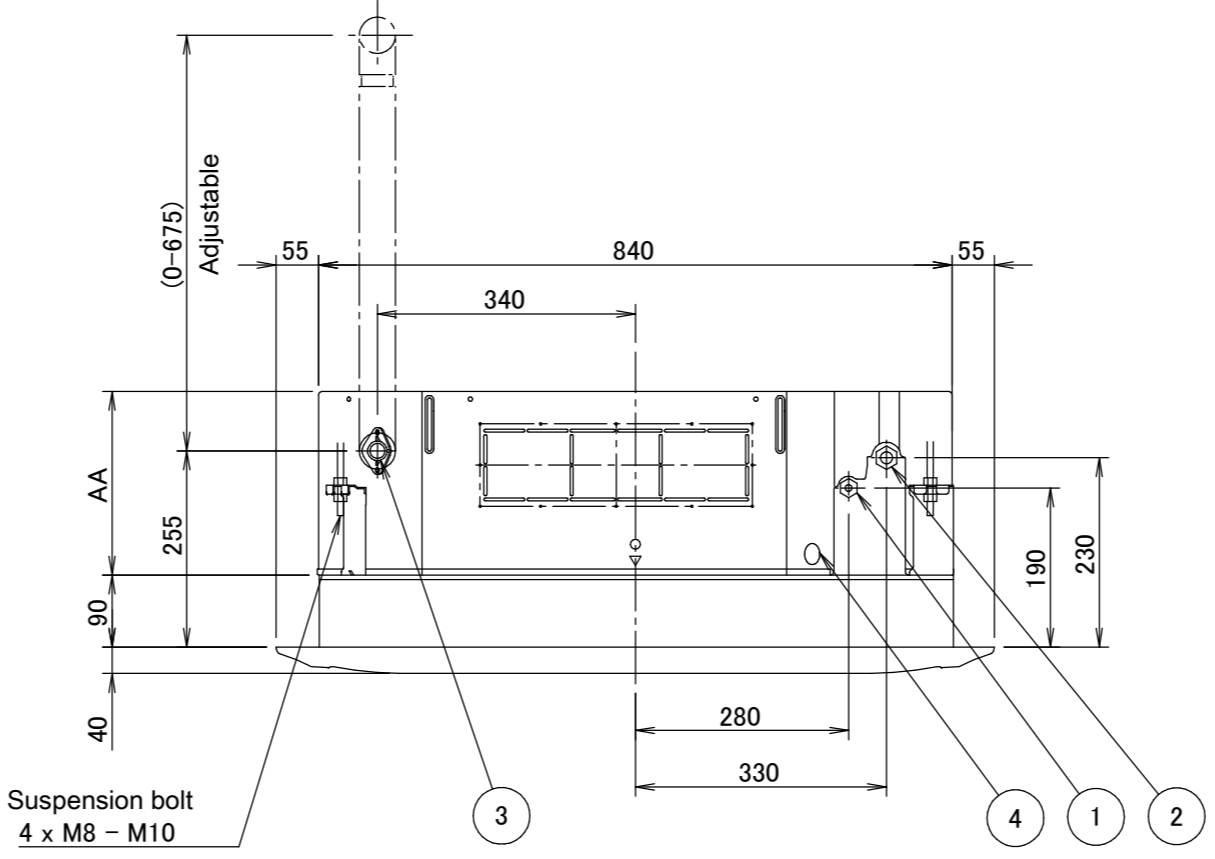
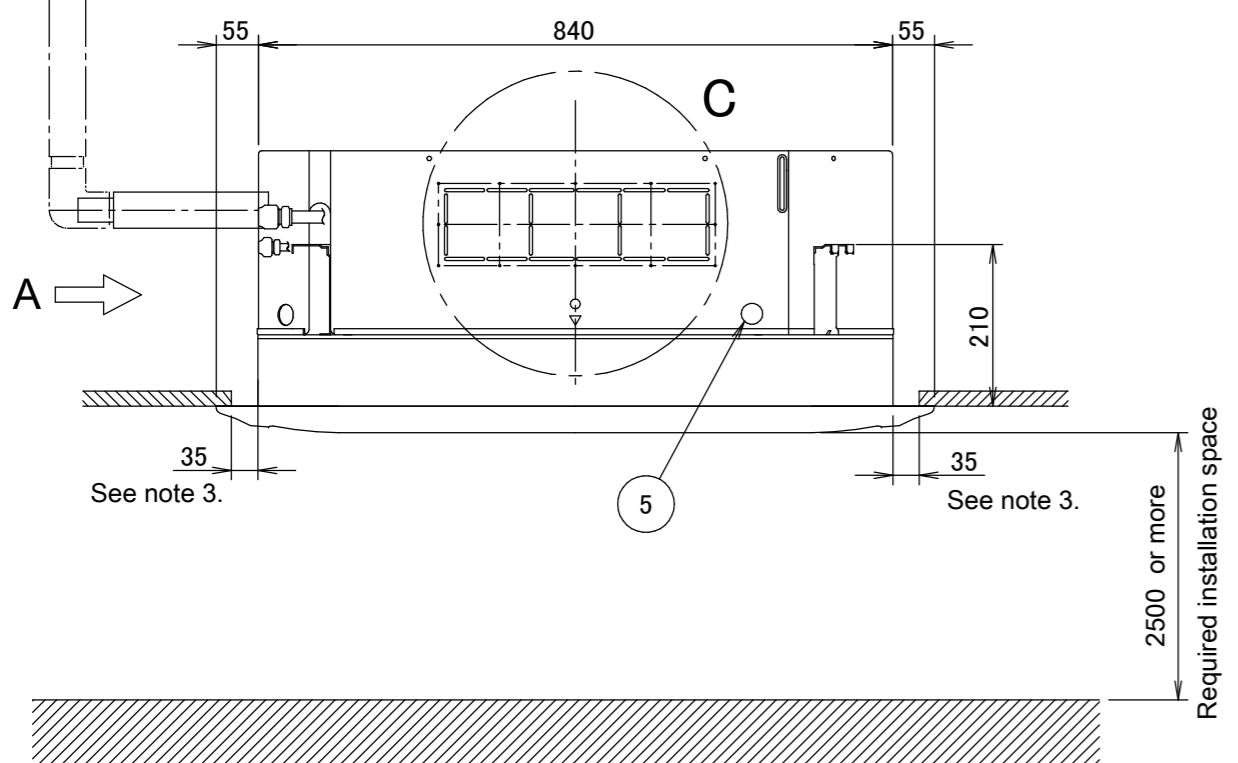


# FCAHG-F



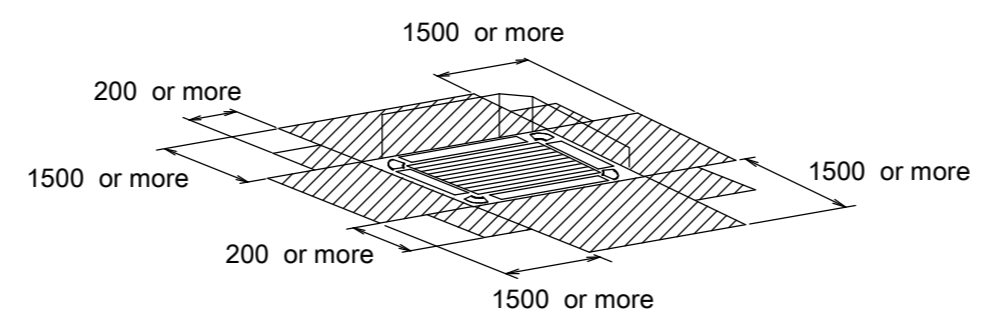
**Detail B**  
2 places  
Opposite side

**Detail C**  
2 places  
Opposite side



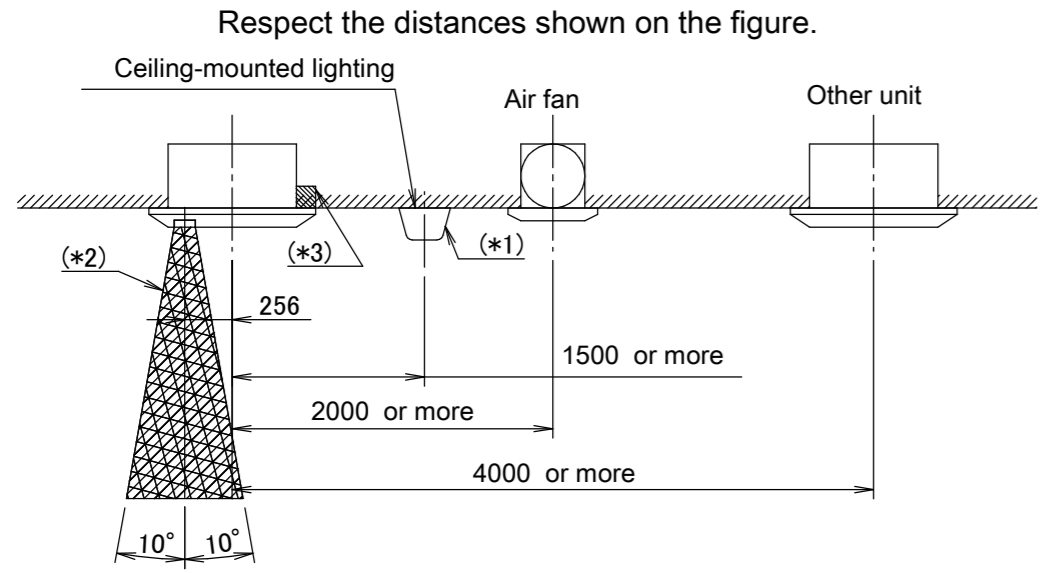
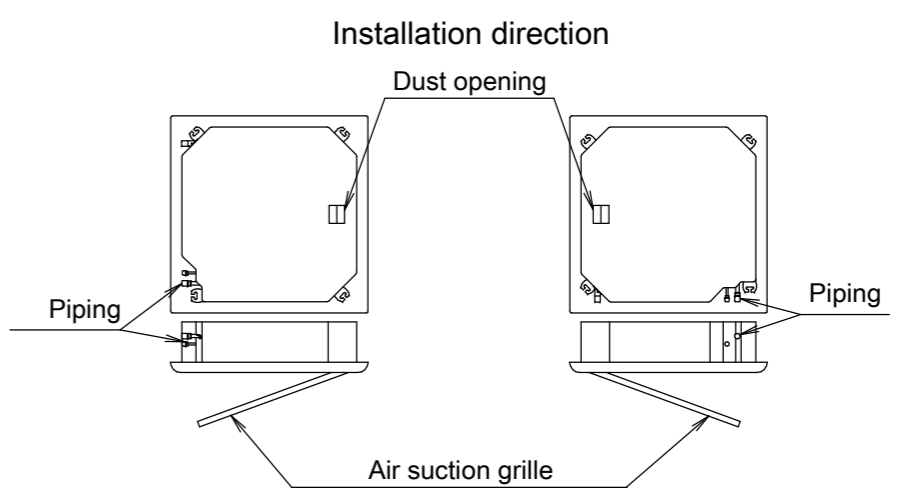
- | Item | Name                            |
|------|---------------------------------|
| ①    | Liquid pipe connection port     |
| ②    | Gas pipe connection port        |
| ③    | Drain pipe connection           |
| ④    | Power supply wiring intake      |
| ⑤    | Transmission wiring intake hole |
| ⑥    | Air discharge outlet            |
| ⑦    | Air suction grille              |
| ⑧    | Corner decoration cover         |
| ⑨    | Drain hose                      |
| ⑩    | Knockout hole.                  |

**View A**



**Required installation space**

If a discharge outlet is closed up with the "sealing member" option kit, then the required installation space on that (closed up) side is 500mm instead of 1500mm.



Respect the distances shown on the figure.

- (\*1) Not applicable to recessed lighting.
- (\*2) Required space for entering with vacuum cleaner tube.
- (\*3) Make sure the decoration panel discharge outlet is not blocked.

- Notes**
1. The unit nameplate is located on the switch box cover.  
The decoration panel nameplate is located on the piping-side panel frame, under the corner cover.
  2. When installing optional accessories, refer to their respective documentation.  
When installing a fresh air intake kit, an inspection hole is required.
  3. Make sure the distance between the ceiling and the cassette does not exceed 35mm.  
The maximum ceiling opening is 910mm.
  4. When the conditions in the ceiling exceed 30°C ambient temperature and 80% relative humidity, or when fresh air is inducted into the ceiling, additional insulation is required (polyethylene foam, thickness ≥10mm).
  5. When installing a sensor kit, there will be a sensor on this location. For details, see the drawing of the sensor kit.

**3D077131E**